

# PARTS LIST

[ HX-Z1 ]

\* All printed circuit boards and its assemblies are not available as service parts.

Area suffix	
J	U.S.A.
C	Canada

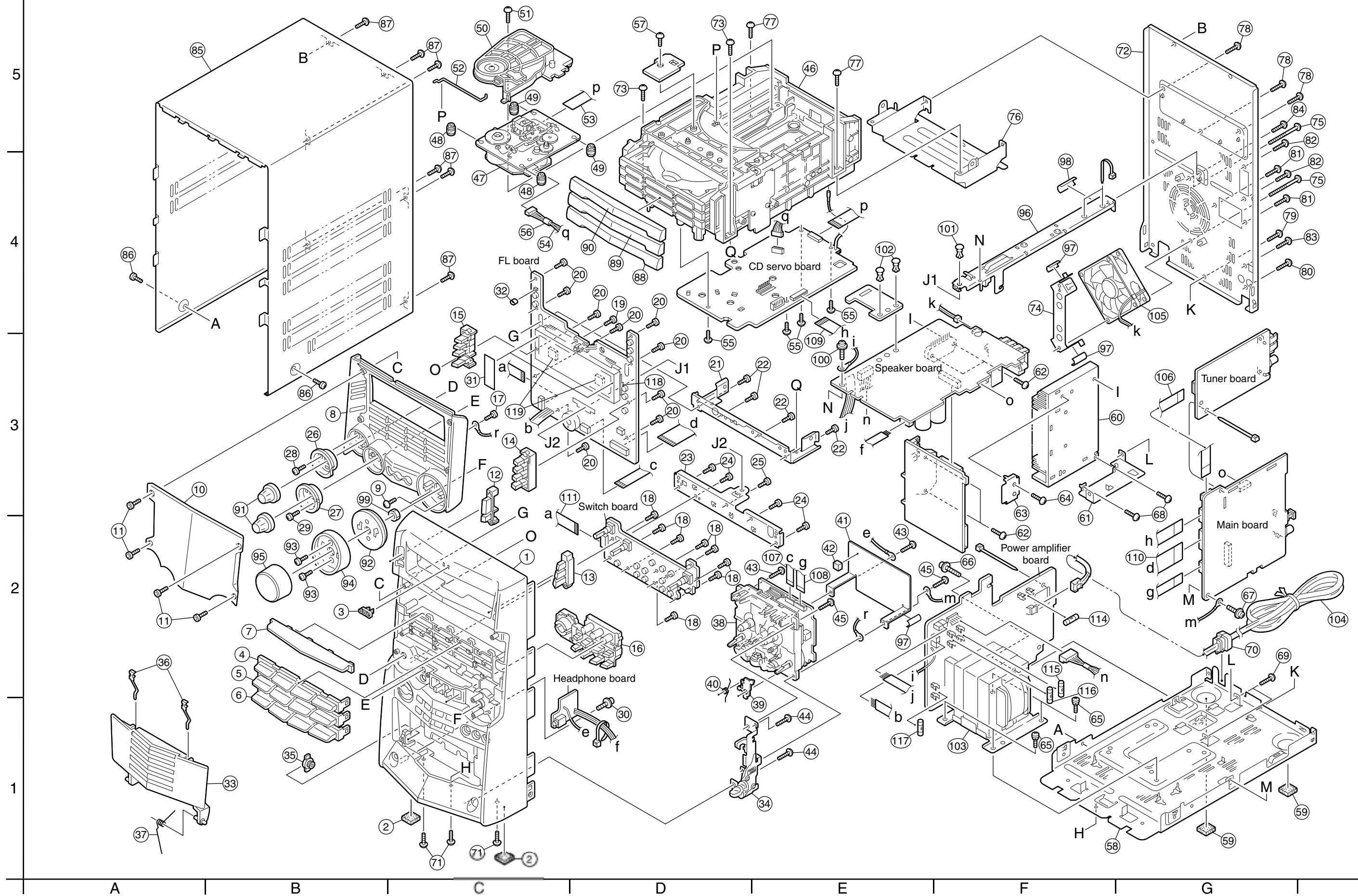
- Contents -

Exploded view of general assembly and parts list (Block No.M1)	3- 3
Speaker assembly and parts list (Block No.M2)	3- 6
CD changer mechanism assembly and parts list (Block No.MA)	3- 8
Cassette mechanism assembly and parts list (Block No.MP)	3-10
Electrical parts list (Block No.01~08)	3-12
Packing materials and accessories parts list (Block No.M3,M5)	3-24

< M E M O >

# Exploded view of general assembly and parts list

Block No. **M 1 M M**



## ■ Parts list (General assembly)

Block No. M1MM

△	Item	Parts number	Parts name	Q'ty	Description	Area
	1	GV10115-006A	FRONT PANEL	1		
	2	GV40313-001A	FELT SPACER	2		
	3	GV40077-002A	JVC BADGE	1		
	4	GV30293-002A	FUNCTION LENS A	1		
	5	GV30294-002A	FUNCTION LENS B	1		
	6	GV30295-002A	FUNCTION LENS C	1		
	7	GV30296-001A	FL LENS	1		
	8	GV10114-002A	WINDOW FRAME	1		
	9	QYSDSF2608Z	SCREW	2	W.FRAME/F.PNL	
	10	GV20171-001A	WINDOW SCREEN	1		
	11	LV40744-001A	SOCKET BOLT	4	W.SCREEN/F.PNL	
	12	GV30309-002A	POWER BUTTON AS	1		
	13	GV30288-001A	CD EJECT BUTTON	1		
	14	GV30290-002A	CD BUTTON	1		
	15	GV30289-002A	FUNCTION BUTTON	1		
	16	GV20169-001A	CONTROL BUTTON	1		
	17	QYSDSF2608Z	SCREW	1	WIRE + W.FRAME	
	18	QYSDSF2608Z	SCREW	8	PWB BRD./F.PANE	
	19	QYSDSF2608Z	SCREW	1	REMOTE BRD./F.P	
	20	QYSDSF2608Z	SCREW	9	MICOM PWB/F.PNL	
	21	GV30082-002A	STAY BRACKET	1		
	22	QYSDSF2608Z	SCREW	4	STY.BRKT.+F.PNL	
	23	GV30301-001A	SUPPORT BRACKET	1		
	24	QYSDSF2608Z	SCREW	4	SPT.BRKT.+F.PNL	
	25	QYSDSF2608Z	SCREW	1	SPT.BRKT + F.PN	
	26	GV30303-001A	PRESET RING	1		
	27	GV30302-001A	SOUND MODE RING	1		
	28	QYSDSF2608Z	SCREW	1	PRE.RING/F.PANE	
	29	QYSDSF2608Z	SCREW	1	S.M.RING/F.PANE	
	30	E65923-003	TAPPING SCREW	1	PHONE BRD./F.PN	
	31	GV40342-001A	FL SHEET	2		
	32	GV40343-001A	VINYL TUBE	1		
	33	GV30315-001A	CASS.HOLD.ASSY.	1		
	34	GV30311-001A	EJECT SYS.ASSY.	1		
	35	GV40034-001A	DAMPER ASSY	1		
	36	VKY4180-401	CASSETTE SPRING	2		
	37	GV40317-001A	HOLDER SPRING	1		
	38	-----	CASSETTE MECHA	1	SLC-S101M	
	39	VKL7850-002	EJECT SAFTY A	1		
	40	VKW5258-003	TORSION SPRING	1	EJECT SAFETY A	
	41	GV30124-001A	TRANS SHIELD	1		
	42	GV40170-003A	SPACER	1	STICK AT SLC	
	43	QYSBSF3012Z	SCREW	2	MECHA/F.PANEL	
	44	QYSBSF3010Z	SCREW	2	E.ARM BKT./F.PL	
	45	QYSBSG3010Z	T.SCREW	2	MECHA/E.ARM BKT	
	46	-----	CD CHANGER	1	C3BASE-2M	
	47	KSM-213CCMJ	CD MECHA	1		
	48	LV42763-001A	INSULATOR	2		

## ■ Parts list (General assembly)

Block No. M1MM

△	Item	Parts number	Parts name	Q'ty	Description	Area
	49	LV42763-002A	INSULATOR	2		
	50	VKS3703-00R	CLAMPER	1		
	51	QYSPST2606Z	SCREW	1		
	52	VKW5187-001	ROD	1		
	53	QUQ610-1609AJ	FLAT WIRE	1		
	54	VDM1001-M002AV	SOCKET WIRE ASS	1		
	55	QYSBSF2608Z	T.SCREW	4		
	56	VYSA1R2-033	SPACER	1	FOR VDM1001-M00	
	57	QYSBSF3008Z	SCREW	1	FOR LOD STOPPER	
	58	GV10111-001A	CHASSIS BASE	1		
	59	GV40313-002A	FELT SPACER	2	CHASS BASE FOOT	
	60	GV30279-002A	HEAT SINK	1		
	61	GV30281-001A	BASE BRACKET	1		
	62	QYSBSG3014E	T.SCREW	4	FOR POWER IC	
	63	GV40297-001A	LEAF SPRING	1		
	64	QYSBSG3014E	T.SCREW	1	FOR LEAF SPRING	
	65	QYSDSTL4008Z	SPECIAL SCREW	4	FOR TRANS/CH.BS	
	66	QYSBSFG3016Z	SCREW	1	PRI.BRD/CH.BASE	
	67	QYSBSGG3008E	T.SCREW	1	FMC BRD./CH.BS	
	68	QYSBSG3014E	T.SCREW	2	BASE BRKT/H.SIN	
	69	QYSBSG3008E	T.SCREW	2	CH.BS./BS.BRKT.	
△	70	QZW0033-001	STRAIN RELIEF	1		
	71	QYSBSGY3008E	SPECIAL SCREW	3	F.PANEL/CH. BAS	
	72	GV10112-001A	REAR PANEL	1		
	73	QYSBSG3010Z	T.SCREW	2	C3 MECHA/S.BRKT	
	74	GV30278-001A	FAN BARCKET	1		
	75	QYSBSGY3008E	SPECIAL SCREW	2	R.PANEL/FAN.BRK	
	76	GV30277-001A	REAR BRACKET	1		
	77	QYSBSG3010Z	T.SCREW	2	R.BRKT./CD MECH	
	78	QYSBSGY3008E	SPECIAL SCREW	3	R.BRKT./R.PANEL	
	79	QYSBSGY3008E	SPECIAL SCREW	1	REAR PNL/CHAS.B	
	80	QYSBSGY3008E	SPECIAL SCREW	1	REAR PNL/ AUX	
	81	QYSBSGY3008E	SPECIAL SCREW	2	SPK/ REAR PANEL	
	82	QYSBSGY3008E	SPECIAL SCREW	2	TUNER/REAR PANE	
	83	QYSBSGY3008E	SPECIAL SCREW	1	OPTICAL/R.PANEL	
	84	QYSBSGY3008E	SPECIAL SCREW	1	INNER BAR/R.PNL	
	85	GV10110-001A/S/	METAL COVER	1		
	86	QYSDSG3006M	T.SCREW	2	M.COVER/C.BASE	
	87	QYSBSGY3008E	SPECIAL SCREW	6	M.COVER/R.PANEL	
	88	GV20166-001A	CD FITTING 1	1	DISC 1	
	89	GV20167-001A	CD FITTING 2	1	DISC 2	
	90	GV20168-001A	CD FITTING 3	1	DISC 3	
	91	GV30299-001A	SD. MODE KNOB	2		
	92	GV30297-002A	VOLUME LENS	1		
	93	QYSDSF2608Z	SCREW	2	VOL.LEN/F.PANEL	
	94	GV30262-002A	VOLUME ORNAMENT	1		
	95	GV30298-001A	VOLUME KNOB	1		
	96	GV30286-001A	INNER BAR	1		

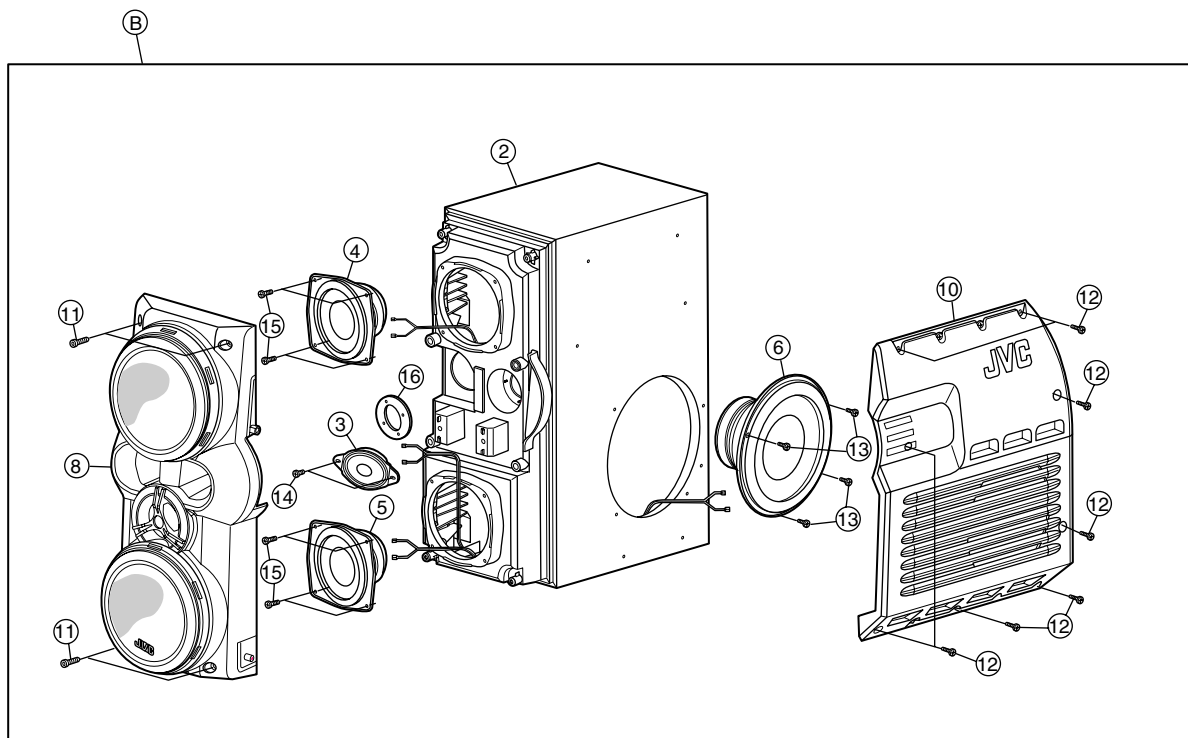
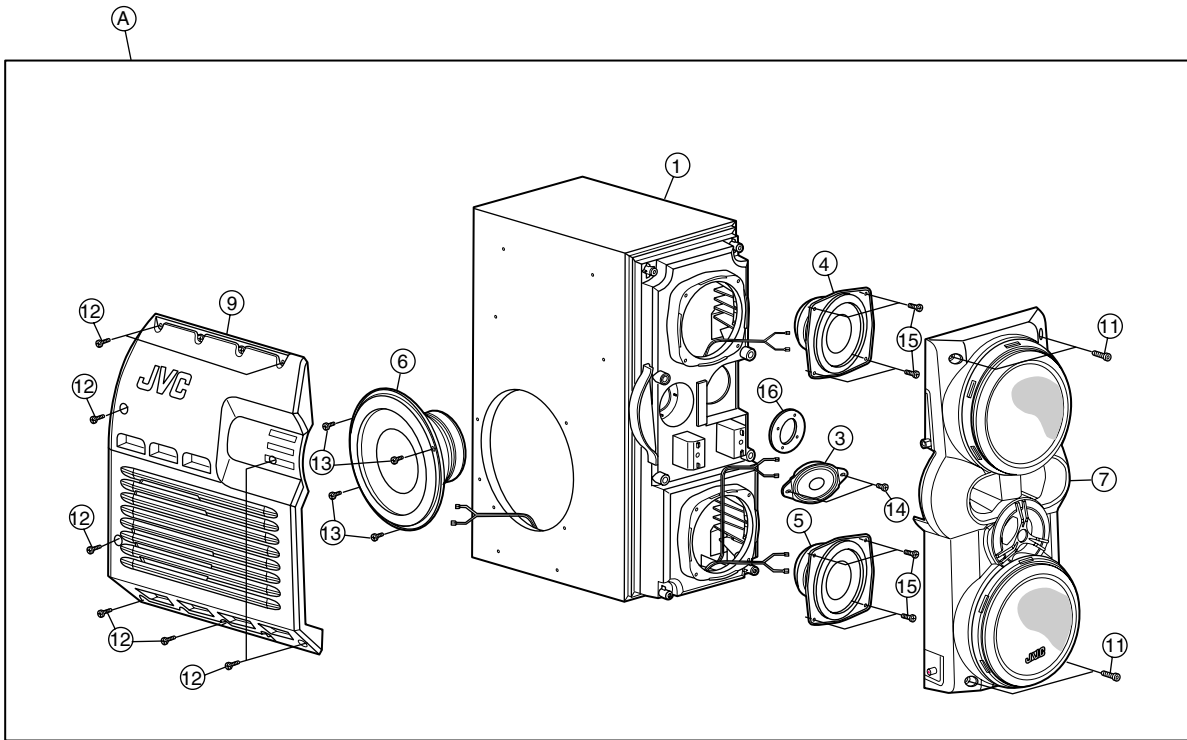
**■ Parts list (General assembly)**

Block No. M1MM

⚠	Item	Parts number	Parts name	Q'ty	Description	Area
	97	GV40121-004A	SPACER	3		
	98	LV30225-079A	SPACER	1	STICK AT I.BAR	
	99	GV40186-001A	NUT	1		
	100	QYSBSGG3008E	T.SCREW	1	INNER BAR/FMH B	
	101	E310243-002	PLASTIC RIVET	1	SUPP.BRKT./INNE	
	102	E310243-002	PLASTIC RIVET	2	HOLD.BRD./FMH B	
⚠	103	QQT0367-001	POWER TRANSF	1	T001	
⚠	104	QMPD330-200-JD	POWER CORD	1		
	105	QAR0228-001	FAN MOTOR	1		
	106	QUQH12-0907BJ	FLAT WIRE	1	FC 1	
	107	QUQH12-0908BJ	FLAT WIRE	1	FC 33	
	108	QUQH12-1023BJ	FLAT WIRE	1	FC 34	
	109	QUQH10-1918AJ	FLAT WIRE	1	FC651	
	110	QUQH12-2120BJ	FLAT WIRE	1	FC860	
	111	QUQH12-1309BJ	FLAT WIRE	1	FC880	
⚠	114	QMF51U1-5R0-J8	FUSE	1	F001	
⚠	115	QMF51U1-6R0-J8	FUSE	1	F101	
⚠	116	QMF51U1-6R0-J8	FUSE	1	F102	
⚠	117	QMF51U1-2R5-J8	FUSE	1	F103	
	118	GV30280-001A	FL HOLDER	1		
	119	E3400-439	FELT SPACER	2		

# Speaker assembly and parts list

Block No. M 2 M M



**■ Parts list (Speaker assembly)**

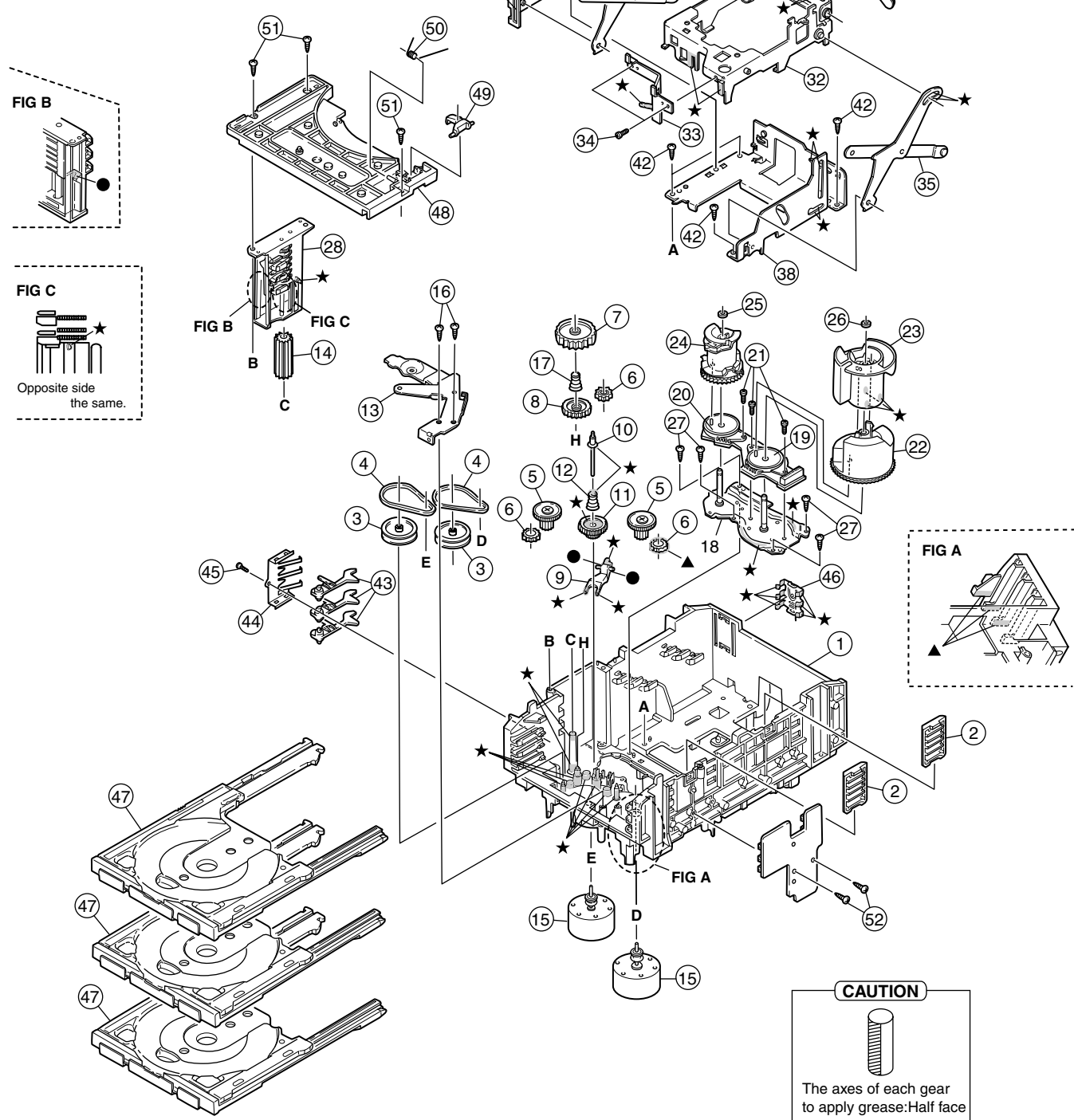
Block No. M2MM

⚠	Item	Parts number	Parts name	Q'ty	Description	Area
	A	HXZ1K-SPBOX-L	SP BOX ASSY(L)	1		
	B	HXZ1K-SPBOX-R	SP BOX ASSY(R)	1		
	1	-----	CABINET ASSY(L)	1		
	2	-----	CABINET ASSY(R)	1		
	3	993060500030	5CM TWEETER	2		
	4	991091000047	10CM WOOFER TOP	2	FOR TOP SIDE	
	5	991081000048	10CM WOOFER BOT	2	FOR BOTTOM SIDE	
	6	991061650046	16CM SUBWOOFER	2		
	7	199734300149	FRONT PANEL(L)	1		
	8	199734300150	FRONT PANEL(R)	1		
	9	151733601104	SIDE PANEL(L)	1		
	10	151733601105	SIDE PANEL(R)	1		
	11	135604161053	SCREW(M4X16)	8	FOR FRONT PANEL	
	12	135604201054	SCREW(M4X20)	16	FOR SIDE PANEL	
	13	135604201046	SCREW(M4X20)	8	FOR SUBWOOFER	
	14	135604121055	SCREW(M4X12)	4	FOR TWEETER	
	15	135604161047	SCREW(M4X16)	16	FOR WOOFER	
	16	109760511072	FOAM GASKET	2		

# CD changer mechanism assembly and parts list

Block No. M A M M

**Grease** ★ = EM-30L  
 ● = EBS0006-009B  
 ▲ = FL-7750E





## ■ Parts list (CD changer mechanism)

Block No. MAMM

△	Item	Parts number	Parts name	Q'ty	Description	Area
	1	VKS1144-004	CHASSIS	1		
	2	VKS3698-003	TRAY GUIDE	2		
	3	VKS5532-003	PULLEY GEAR	2		
	4	VKB3000-164	BELT	2		
	5	VKS5505-003	GEAR B	2		
	6	VKS5506-002	GEAR C	3		
	7	VKS5507-002	CROSS GEAR U	1		
	8	VKS5508-002	CROSS GEAR L	1		
	9	VKS5510-003	SELECT LEVER	1		
	10	VKH5769-001	S.G.SHAFT	1		
	11	VKS5511-002	SELECT GEAR	1		
	12	VKW5155-003	COMP.SPRING	1	FOR SELECT GEAR	
	13	VKM3846-003	GEAR BRACKET	1		
	14	VKS5509-002MM	CYLINDER GEAR	1		
	15	MSN5D257A-SA2	DC MOTOR ASSY	2		
	16	QYSPSPD2616Z	SCREW	2	FOR MOTOR	
	17	LV40612-001A	COMP.SPRING	1		
	18	VKM3825-00B	C.G.BASE ASS'Y	1		
	19	VKZ3172-00ASS	CAM SW. R ASS'Y	1		
	20	VKZ3173-00ASS	CAM SW. L ASS'Y	1		
	21	QYSPST2606Z	SCREW	3	FOR CAM SW.	
	22	VKS2263-002MM	CAM R1	1		
	23	VKS2264-002MM	CAM R2	1		
	24	VKS2265-002MM	CAM GEAR L	1		
	25	WDL316050MM	SLIT WASHER	1	FOR CAM GEAR L	
	26	WDL316050MM	SLIT WASHER	1		
	27	QYSBSF2608Z	T.SCREW	4	FOR C.GEAR BASE	
	28	VKS3702-00FMM	DRIVE UNIT	1		
	29	VKS2247-005	MECHA HOLDER A	1		
	30	VKL7767-00F	BRACKET ASS'Y	1		
	31	QYSBSF2606Z	SCREW	2	FOR BRACKET	
	32	VKM3860-00E	M.HOLDER B AS'Y	1		
	33	VKL7802-00D	M.HOLDER C AS'Y	1		
	34	QYSDST2604Z	SCREW	2	FOR M.HOLDER C	
	35	VKL7810-00B	LIFTER ASS'Y R	1		
	36	VKL7811-00B	LIFTER ASS'Y L	1		
	37	VKL7812-00B	LIFTER ASS'Y H	1		
	38	VKL2745-003	LIFTER BASE	1		
	39	VKM3857-002	LIFTER BRACKET	1		
	40	QYSDST2604Z	SCREW	1		
	41	WDL266035-2	SLIT WASHER	1		
	42	QYSBSF2608Z	T.SCREW	4		
	43	VKS5514-002MM	LOCK LEVER	3		
	44	VKY3133-002MM	RETURN SPRING	1		
	45	QYSBSF2608Z	T.SCREW	1	FOR RETURN SP.	
	46	VKY3134-003MM	CLICK SPRING	1		
	47	VKS2252-00N	TRAY ASS'Y	3		
	48	VKS2250-004	TOP BRACKET	1		
	49	VKS5515-002	S.TRAY STOPPER	1		
	50	VKW5156-004	TORSION SPRING	1		
	51	QYSBSF2608Z	T.SCREW	3		
	52	QYSBSF2608Z	T.SCREW	2		

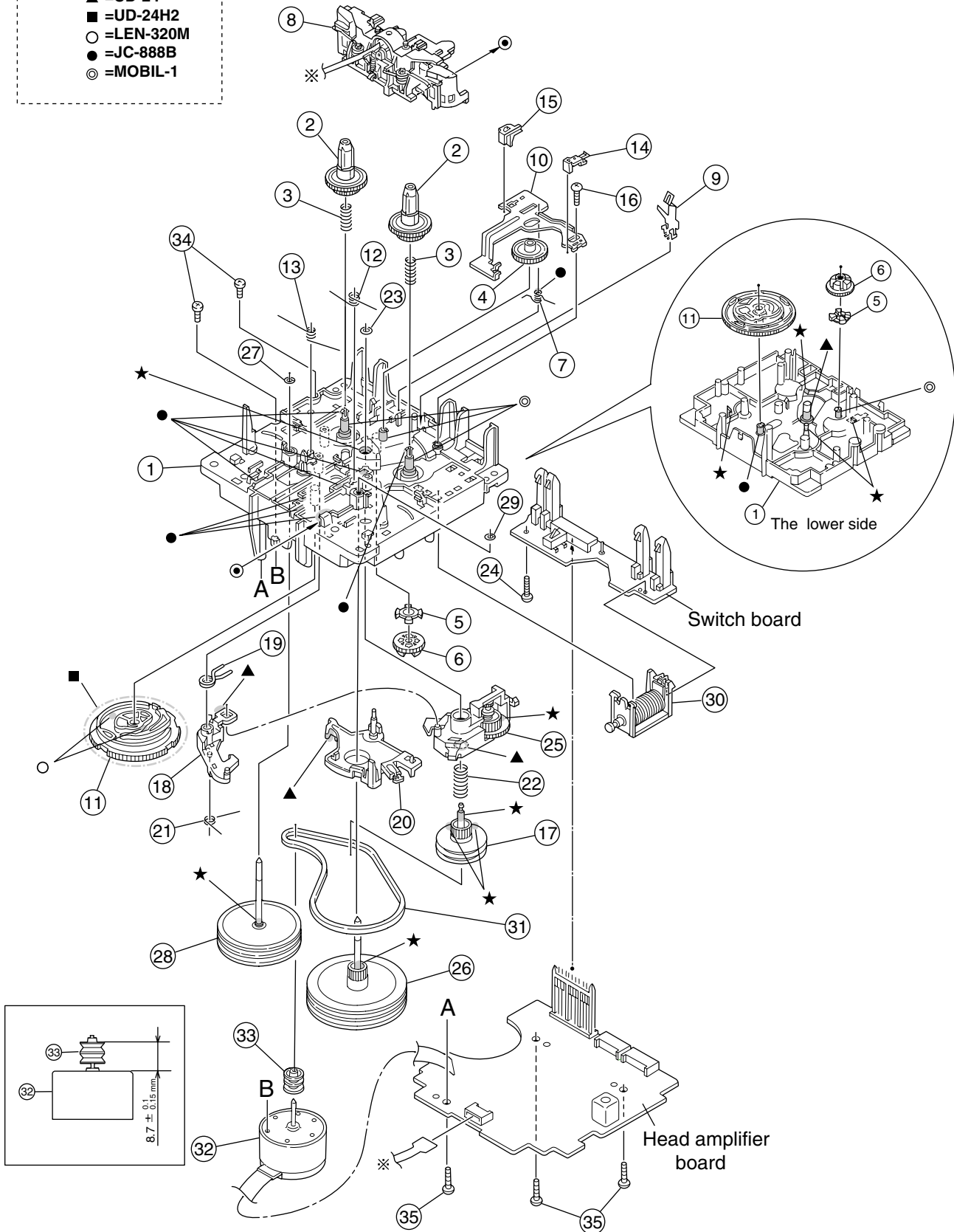
# Cassette mechanism assembly and parts list

Block No. M P M M

SLC-S101M

**Grease**

- ★ =EM-30L
- ▲ =UD-24
- =UD-24H2
- =LEN-320M
- =JC-888B
- ◎ =MOBIL-1



**Parts list (Cassette mechanism)**

Block No. MPMM

△	Item	Parts number	Parts name	Q'ty	Description	Area
	1	VKS1165-00J	CHASSIS B.ASS'Y	1		
	2	VKS2274-002	REEL GEAR	2		
	3	VKW5286-002	B.T. SPRING	2		
	4	VKS5559-001	PLAY IDLE GEAR	1		
	5	VKS5595-002	BLIND	1		
	6	VKS5560-003	FR IDLE GEAR	1		
	7	LV42013-001A	EARTH SPRING	1		
	8	SLC-RP3SVM	HEAD MOUNT	1		
	9	VKY3149-002	CASSETTE SP.	1		
	10	LV31786-001A	PLAY SW LEVER	1		
	11	VKS1166-004	CONTROL CAM	1		
	12	VKW5279-002	HEAD BASE SP(R)	1		
	13	VKW5280-001	HEAD BASE SP(L)	1		
	14	LV41584-001A	BRAKE(R)	1		
	15	LV41585-002A	BRAKE(L)	1		
	16	QYSBSF2005Z	T.SCREW	1		
	17	VKS5603-00G	MAIN PULLEY ASY	1		
	18	VKS3785-001MM	FR ARM	1		
	19	VKW5284-002	SWING SPRING	1		
	20	VKS2278-003	TRIGGER ARM	1		
	21	VKW5301-001	FR SPRING	1		
	22	VKW5266-001	ELEVATOR SPRING	1		
	23	WDL214025	WASHER	1		
	24	QYSBSF2005Z	T.SCREW	1		
	25	VKS3786-00G	CLUTCH ASS'Y	1		
	26	VKF3205-00B	F.WHEEL ASSY(R)	1		
	27	WDL183425	SLIT WASHER	1		
	28	VKF3207-00B	F.WHEEL ASSY(L)	1		
	29	WDL173525-6	SLIT WASHER	1		
	30	VKZ3174-00A	DC SOLENOID	1		
	31	LV42836-001A	CAPSTAN BELT	1		
	32	MSI-5U2LWA	D.C.MOTOR ASS'Y	1		
	33	VKR4761-001	MOTOR PULLEY	1		
	34	QYSPSP2604Z	SCREW	2		
	35	QYSBSF2608Z	T.SCREW	3	FOR P.W.B.	

**Electrical parts list (Power amplifier board) Block No. 01**

△	Item	Parts number	Parts name	Remarks	Area	△	Item	Parts number	Parts name	Remarks	Area
	C 250	QETN1HM-476Z	E CAPACITOR	47MF 20% 50V		△	FT521	QNG0003-001Z	FUSE CLIP		
	C 251	QETN1CM-477Z	E CAPACITOR	470MF 20% 16V		△	FT522	QNG0003-001Z	FUSE CLIP		
	C 252	QCZ9105-472	C CAPACITOR	4700PF		△	FT531	QNG0003-001Z	FUSE CLIP		
	C 253	QFLM1HJ-472Z	M CAPACITOR	4700PF 5% 50V		△	FT532	QNG0003-001Z	FUSE CLIP		
	C 255	QETN0JM-477Z	E CAPACITOR	470MF 20% 6.3V		△	IC303	KIA7808API	IC		
	C 308	QETN1HM-106Z	E CAPACITOR	10MF 20% 50V		△	IC360	KIA7805API	IC		
	C 311	QTE1V06-106Z	E CAPACITOR			△	IC701	STK412-010	IC(HYBRID)		
	C 312	QETN1HM-106Z	E CAPACITOR	10MF 20% 50V			L 701	QQLZ035-R39	INDUCTOR		
	C 313	QDGB1HK-103Y	C CAPACITOR				L 702	QQLZ035-R39	INDUCTOR		
	C 362	QETN1HM-106Z	E CAPACITOR	10MF 20% 50V			Q 250	2SC2785/FE/-T	TRANSISTOR		
	C 703	QCBB1HK-471Y	C CAPACITOR	470PF 10% 50V			Q 251	KTC1027/OY/-T	TRANSISTOR		
	C 705	QCBB1HK-221Y	C CAPACITOR	220PF 10% 50V		△	Q 305	KTC2026/Y/	SI.TRANSISTOR		
	C 706	QCBB1HK-221Y	C CAPACITOR	220PF 10% 50V			Q 701	KTA1268/GL/-T	TRANSISTOR		
	C 707	QETN1JM-476Z	E CAPACITOR	47MF 20% 63V			Q 702	KTA1268/GL/-T	TRANSISTOR		
	C 708	QETN1JM-476Z	E CAPACITOR	47MF 20% 63V			Q 710	KTA1023/OY/-T	TRANSISTOR		
	C 709	QCSB1HK-4R7Y	C CAPACITOR	4.7PF 10% 50V			Q 711	KTC3200/GL/-T	TRANSISTOR		
	C 710	QCSB1HK-4R7Y	C CAPACITOR	4.7PF 10% 50V			Q 712	KTA1268/GL/-T	TRANSISTOR		
	C 711	QFZ0212-104Z	MM CAPACITOR	.10MF			Q 713	KTC1027/OY/-T	TRANSISTOR		
	C 712	QFZ0212-104Z	MM CAPACITOR	.10MF			Q 726	KTC3200/GL/-T	TRANSISTOR		
	C 713	QFLM1HJ-473Z	M CAPACITOR	.047MF 5% 50V			Q 727	KTA1268/GL/-T	TRANSISTOR		
	C 714	QFLM1HJ-473Z	M CAPACITOR	.047MF 5% 50V			Q 728	2SC2785/FE/-T	TRANSISTOR		
	C 715	QFLM1HJ-473Z	M CAPACITOR	.047MF 5% 50V			R 250	QRE141J-332Y	C RESISTOR	3.3K 5% 1/4W	
	C 716	QFLM1HJ-473Z	M CAPACITOR	.047MF 5% 50V			R 251	QRE141J-332Y	C RESISTOR	3.3K 5% 1/4W	
	C 721	QETN1CM-476Z	E CAPACITOR	47MF 20% 16V			R 253	QRE141J-332Y	C RESISTOR	3.3K 5% 1/4W	
	C 722	QETN1CM-476Z	E CAPACITOR	47MF 20% 16V			R 254	QRE141J-153Y	C RESISTOR	15K 5% 1/4W	
	C 723	QETN1AM-107Z	E CAPACITOR	100MF 20% 10V			R 304	QRE141J-103Y	C RESISTOR	10K 5% 1/4W	
	C 726	QETN1EM-106Z	E CAPACITOR	10MF 20% 25V		△	R 305	QRJ146J-2R2X	UNF C RESISTOR	2.2 5% 1/4W	
	C 729	QETN1CM-476Z	E CAPACITOR	47MF 20% 16V		△	R 307	QRJ146J-1R0X	UNF C RESISTOR	1.0 5% 1/4W	
	C 730	FQCF31HZ-223Z	D CAPACITOR				R 362	QRE141J-102Y	C RESISTOR	1.0K 5% 1/4W	
	C 731	FQCF31HZ-223Z	D CAPACITOR			△	R 701	QRJ146J-470X	UNF C RESISTOR	47 5% 1/4W	
	C 739	QETN1HM-105Z	E CAPACITOR	1.0MF 20% 50V		△	R 702	QRJ146J-470X	UNF C RESISTOR	47 5% 1/4W	
	CN212	QGD2504C1-03Z	SOCKET				R 703	QRE141J-563Y	C RESISTOR	56K 5% 1/4W	
	CN213	QGD2504C1-04Z	SOCKET				R 704	QRE141J-563Y	C RESISTOR	56K 5% 1/4W	
	CN214	QGA3901C1-05	CONNECTOR			△	R 705	FQRJ143J-821X	UNF C RESISTOR		
	CN215	QGB2510K2-15	CONNECTOR			△	R 706	FQRJ143J-821X	UNF C RESISTOR		
	CN231	QGD2504C1-03Z	SOCKET				R 707	QRE141J-563Y	C RESISTOR	56K 5% 1/4W	
	CN232	QGD2504C1-03Z	SOCKET				R 708	QRE141J-563Y	C RESISTOR	56K 5% 1/4W	
	CN250	QGA7901F2-02	CONNECTOR			△	R 713	QRJ146J-100X	UNF C RESISTOR	10 5% 1/4W	
	CN301	QGB2510K2-11	CONNECTOR			△	R 714	QRJ146J-100X	UNF C RESISTOR	10 5% 1/4W	
△	D 233	2A02-M	DIODE			△	R 715	FQRJ143J-100X	UNF C RESISTOR		
△	D 234	2A02-M	DIODE			△	R 716	FQRJ143J-100X	UNF C RESISTOR		
△	D 235	2A02-M	DIODE				R 717	QRE141J-102Y	C RESISTOR	1.0K 5% 1/4W	
△	D 236	2A02-M	DIODE				R 718	QRE141J-102Y	C RESISTOR	1.0K 5% 1/4W	
	D 252	1N4003S-T5	SI DIODE				R 719	QRE141J-562Y	C RESISTOR	5.6K 5% 1/4W	
	D 254	1SS119-041-T2	SI DIODE				R 720	QRE141J-562Y	C RESISTOR	5.6K 5% 1/4W	
	D 256	DZ6.2BSC-T2	ZENER DIODE				R 721	QRE141J-103Y	C RESISTOR	10K 5% 1/4W	
	D 313	DZ10BSC-T2	Z.DIODE				R 722	QRE141J-103Y	C RESISTOR	10K 5% 1/4W	
	D 315	DZ11BSC-T2	ZENER DIODE				R 723	QRE141J-103Y	C RESISTOR	10K 5% 1/4W	
	D 316	DZ10BSC-T2	Z.DIODE				R 724	QRE141J-103Y	C RESISTOR	10K 5% 1/4W	
	D 360	1SS119-041-T2	SI DIODE				R 727	QRE141J-104Y	C RESISTOR	100K 5% 1/4W	
	D 362	DZ8.2BSC-T2	Z.DIODE				R 728	QRE141J-103Y	C RESISTOR	10K 5% 1/4W	
	D 703	DZ15BSC-T2	ZENER DIODE				R 729	QRE141J-104Y	C RESISTOR	100K 5% 1/4W	
	D 704	DZ15BSC-T2	ZENER DIODE				R 730	QRE141J-103Y	C RESISTOR	10K 5% 1/4W	
	D 719	1SS119-041-T2	SI DIODE				R 739	QRE141J-823Y	C RESISTOR	82K 5% 1/4W	
	D 720	1SS119-041-T2	SI DIODE				R 740	QRE141J-104Y	C RESISTOR	100K 5% 1/4W	
	D 723	DZ36BSA-T2	ZENER DIODE				R 741	QRE141J-103Y	C RESISTOR	10K 5% 1/4W	
	D 724	DZ36BSA-T2	ZENER DIODE				R 742	QRE141J-103Y	C RESISTOR	10K 5% 1/4W	
	D 726	1SS119-041-T2	SI DIODE				R 753	QRZ0197-R22	C RESISTOR	5W	
	D 728	1SS119-041-T2	SI DIODE				R 754	QRZ0197-R22	C RESISTOR	5W	
△	FT111	QNG0003-001Z	FUSE CLIP				R 761	QRE141J-102Y	C RESISTOR	1.0K 5% 1/4W	
△	FT112	QNG0003-001Z	FUSE CLIP				R 762	QRE141J-102Y	C RESISTOR	1.0K 5% 1/4W	
△	FT511	QNG0003-001Z	FUSE CLIP				R 766	QRE141J-333Y	C RESISTOR	33K 5% 1/4W	
△	FT512	QNG0003-001Z	FUSE CLIP				R 768	QRE141J-104Y	C RESISTOR	100K 5% 1/4W	

■ Electrical parts list (Power amplifier board) Block No. 01

△	Item	Parts number	Parts name	Remarks	Area
	R 769	QRE141J-222Y	C RESISTOR	2.2K 5% 1/4W	
△	R 774	QRJ146J-100X	UNF C RESISTOR	10 5% 1/4W	
	R 775	QRE141J-102Y	C RESISTOR	1.0K 5% 1/4W	
	R 777	QRE141J-103Y	C RESISTOR	10K 5% 1/4W	
	R 778	QRE141J-103Y	C RESISTOR	10K 5% 1/4W	
	R 786	QRE141J-103Y	C RESISTOR	10K 5% 1/4W	
	R 787	QRE141J-103Y	C RESISTOR	10K 5% 1/4W	
△	RY 3	QSK0140-001	RELAY		
△	R1001	QRZ9037-335	F RESISTOR	3.3M 1/2W	
△	R1002	ERX12SJR33E	UNF.C.RESISTOR		
△	T 002	QQT0253-012	POWER TRANS		

## ■ Electrical parts list (Main board)

Block No. 02

△	Item	Parts number	Parts name	Remarks	Area	△	Item	Parts number	Parts name	Remarks	Area
	C 401	QCBB1HK-221Y	C CAPACITOR	220PF 10% 50V			C 502	QFLM1HJ-153Z	M CAPACITOR	.015MF 5% 50V	
	C 402	QCBB1HK-221Y	C CAPACITOR	220PF 10% 50V			C 503	QFVJ1HJ-224Z	MF CAPACITOR	.22MF 5% 50V	
	C 403	FQCF31HP-103Z	C CAPACITOR				C 504	QFLM1HJ-822Z	M CAPACITOR	8200PF 5% 50V	
	C 404	QETN1CM-476Z	E CAPACITOR	47MF 20% 16V			C 505	QFVJ1HJ-274Z	MF CAPACITOR	.27MF 5% 50V	
	C 407	QFLM1HJ-223Z	M CAPACITOR	.022MF 5% 50V			C 508	QFLM1HJ-273Z	M CAPACITOR	.027MF 5% 50V	
	C 409	QETN0JM-107Z	E CAPACITOR	100MF 20% 6.3V			C 509	QETN1HM-475Z	E CAPACITOR	4.7MF 20% 50V	
	C 411	QCBB1HK-221Y	C CAPACITOR	220PF 10% 50V			C 510	QETN1AM-107Z	E CAPACITOR	100MF 20% 10V	
	C 412	QCBB1HK-221Y	C CAPACITOR	220PF 10% 50V			C 514	QFLC1HJ-471Z	M CAPACITOR	470PF 5% 50V	
	C 415	QDXB1CM-222Y	C CAPACITOR				C 533	QETN1AM-107Z	E CAPACITOR	100MF 20% 10V	
	C 426	QDVB1EZ-223Y	C CAPACITOR				C 534	QFLM1HJ-153Z	M CAPACITOR	.015MF 5% 50V	
	C 427	QETN1EM-106Z	E CAPACITOR	10MF 20% 25V			C 536	QETN1HM-105Z	E CAPACITOR	1.0MF 20% 50V	
	C 435	QETN1EM-106Z	E CAPACITOR	10MF 20% 25V			C 537	QDGB1HK-681Y	C CAPACITOR		
	C 436	QETN1EM-106Z	E CAPACITOR	10MF 20% 25V			C 538	QDXB1CM-182Y	C CAPACITOR		
	C 437	QFLM1HJ-104Z	M CAPACITOR	.10MF 5% 50V			C 539	QCSB1HJ-330Y	C CAPACITOR	33PF 5% 50V	
	C 438	QFLM1HJ-473Z	M CAPACITOR	.047MF 5% 50V			C 551	QETN1AM-227Z	E CAPACITOR	220MF 20% 10V	
	C 442	QETN1EM-106Z	E CAPACITOR	10MF 20% 25V			C 552	QFLM1HJ-104Z	M CAPACITOR	.10MF 5% 50V	
	C 444	QETN1EM-106Z	E CAPACITOR	10MF 20% 25V			C 553	QFLM1HJ-103Z	M CAPACITOR	.010MF 5% 50V	
	C 445	QFLM1HJ-104Z	M CAPACITOR	.10MF 5% 50V			C 554	QETN1EM-106Z	E CAPACITOR	10MF 20% 25V	
	C 446	QFLM1HJ-472Z	M CAPACITOR	4700PF 5% 50V			C 555	QFLM1HJ-103Z	M CAPACITOR	.010MF 5% 50V	
	C 447	QFVJ1HJ-224Z	MF CAPACITOR	.22MF 5% 50V			C 556	QETN1EM-106Z	E CAPACITOR	10MF 20% 25V	
	C 448	QFVJ1HJ-224Z	MF CAPACITOR	.22MF 5% 50V			C 557	QFLM1HJ-104Z	M CAPACITOR	.10MF 5% 50V	
	C 449	QFVJ1HJ-224Z	MF CAPACITOR	.22MF 5% 50V			C 559	FQCF31HP-103Z	C CAPACITOR		
	C 450	QFVJ1HJ-224Z	MF CAPACITOR	.22MF 5% 50V			C 560	QFLM1HJ-223Z	M CAPACITOR	.022MF 5% 50V	
	C 451	QFLM1HJ-104Z	M CAPACITOR	.10MF 5% 50V			C 570	QETN1JM-476Z	E CAPACITOR	47MF 20% 63V	
	C 452	QFLM1HJ-104Z	M CAPACITOR	.10MF 5% 50V			C 571	QETN1HM-225Z	E CAPACITOR	2.2MF 20% 50V	
	C 453	QFLM1HJ-104Z	M CAPACITOR	.10MF 5% 50V			C 575	QCBB1HK-101Y	C CAPACITOR	100PF 10% 50V	
	C 454	QFLM1HJ-104Z	M CAPACITOR	.10MF 5% 50V			C 576	QETN1CM-476Z	E CAPACITOR	47MF 20% 16V	
	C 455	QFLM1HJ-223Z	M CAPACITOR	.022MF 5% 50V			C 577	QETN1CM-476Z	E CAPACITOR	47MF 20% 16V	
	C 456	QFLM1HJ-223Z	M CAPACITOR	.022MF 5% 50V			C 578	QETN1HM-105Z	E CAPACITOR	1.0MF 20% 50V	
	C 457	QFLM1HJ-223Z	M CAPACITOR	.022MF 5% 50V			C 585	QETN1HM-476Z	E CAPACITOR	47MF 20% 50V	
	C 458	QFLM1HJ-223Z	M CAPACITOR	.022MF 5% 50V			C 587	QETN1CM-107Z	E CAPACITOR	100MF 20% 16V	
	C 459	QFLM1HJ-103Z	M CAPACITOR	.010MF 5% 50V			C 588	QETN1AM-227Z	E CAPACITOR	220MF 20% 10V	
	C 460	QFLM1HJ-103Z	M CAPACITOR	.010MF 5% 50V			CN 11	QGF1205F1-09	CONNECTOR		
	C 461	QFLM1HJ-103Z	M CAPACITOR	.010MF 5% 50V			CN 44	QGF1201F3-10	CONNECTOR		
	C 462	QFLM1HJ-103Z	M CAPACITOR	.010MF 5% 50V			CN217	QGB2510J1-07	CONNECTOR		
	C 463	QFG32AJ-222Z	PP CAPACITOR	2200PF 5% 100V			CN311	QGB2510J1-11	CONNECTOR		
	C 464	QFG32AJ-222Z	PP CAPACITOR	2200PF 5% 100V			CN661	QGF1036F1-19	FFC/FPC CONNE		
	C 465	QFG32AJ-223Z	PP CAPACITOR	.022MF 5% 100V			CN870	QGF1205F1-21	CONNECTOR		
	C 466	QFG32AJ-223Z	PP CAPACITOR	.022MF 5% 100V			D 409	DZ5.1BSB-T2	ZENER DIODE		
	C 467	QFG32AJ-223Z	PP CAPACITOR	.022MF 5% 100V			D 411	1SS119-041-T2	SI DIODE		
	C 468	QFG32AJ-223Z	PP CAPACITOR	.022MF 5% 100V			D 412	1SS119-041-T2	SI DIODE		
	C 469	QFLM1HJ-104Z	M CAPACITOR	.10MF 5% 50V			D 426	DZ5.1BSB-T2	ZENER DIODE		
	C 470	QFLM1HJ-104Z	M CAPACITOR	.10MF 5% 50V			D 448	1SS119-041-T2	SI DIODE		
	C 471	QFLM1HJ-104Z	M CAPACITOR	.10MF 5% 50V			D 501	1SS119-041-T2	SI DIODE		
	C 472	QFLM1HJ-104Z	M CAPACITOR	.10MF 5% 50V			D 502	1SS119-041-T2	SI DIODE		
	C 473	QETN1EM-227Z	E CAPACITOR	220MF 20% 25V			D 535	1SS119-041-T2	SI DIODE		
	C 474	QFVJ1HJ-394Z	MF CAPACITOR	.39MF 5% 50V			D 545	1SS119-041-T2	SI DIODE		
	C 475	QETN1AM-477Z	E CAPACITOR	470MF 20% 10V			D 571	1SS119-041-T2	SI DIODE		
	C 476	QTE1V06-106Z	E CAPACITOR				D 572	1SS119-041-T2	SI DIODE		
	C 477	QTE1V06-106Z	E CAPACITOR				IC434	BH3874AKS2	IC		
	C 478	QTE1C06-476Z	E CAPACITOR				IC501	NJM4580D	IC		
	C 479	QFVJ1HJ-224Z	MF CAPACITOR	.22MF 5% 50V			IC502	NJM4580D	IC		
	C 480	QETN1HM-106Z	E CAPACITOR	10MF 20% 50V			IC571	NJM4580D	IC		
	C 481	QTE1V06-106Z	E CAPACITOR				J 411	QNN0420-001	PIN JACK		
	C 482	QTE1V06-106Z	E CAPACITOR				J 426	GP1FA550TZ	OPT TRANSMITTER		
	C 483	QETN1EM-106Z	E CAPACITOR	10MF 20% 25V			L 533	QQR1277-001Z	F.BEADS		
	C 484	QETN1EM-106Z	E CAPACITOR	10MF 20% 25V			L 551	QQR1277-001Z	F.BEADS		
	C 485	QETN1EM-106Z	E CAPACITOR	10MF 20% 25V			Q 401	2SC3576-JVC-T	TRANSISTOR		
	C 486	QETN1EM-106Z	E CAPACITOR	10MF 20% 25V			Q 402	2SC3576-JVC-T	TRANSISTOR		
	C 487	QETN1HM-225Z	E CAPACITOR	2.2MF 20% 50V			Q 493	2SC3576-JVC-T	TRANSISTOR		
	C 488	QETN1HM-225Z	E CAPACITOR	2.2MF 20% 50V			Q 494	2SC3576-JVC-T	TRANSISTOR		
	C 497	QETN1HM-105Z	E CAPACITOR	1.0MF 20% 50V			Q 495	2SC3576-JVC-T	TRANSISTOR		
	C 501	QETN1HM-475Z	E CAPACITOR	4.7MF 20% 50V			Q 496	KRA102M-T	D.TRANSISTOR		

## ■ Electrical parts list (Main board)

Block No. 02

△	Item	Parts number	Parts name	Remarks	Area	△	Item	Parts number	Parts name	Remarks	Area
	Q 533	2SC2785/FE/-T	TRANSISTOR				R 535	QRE141J-225Y	C RESISTOR	2.2M 5% 1/4W	
	Q 534	2SC2785/FE/-T	TRANSISTOR				R 536	QRE141J-104Y	C RESISTOR	100K 5% 1/4W	
	Q 545	KRA102M-T	D.TRANSISTOR				R 537	QRE141J-220Y	C RESISTOR	22 5% 1/4W	
	Q 571	2SC2785/FE/-T	TRANSISTOR				R 545	QRE141J-333Y	C RESISTOR	33K 5% 1/4W	
	Q 572	2SC2785/FE/-T	TRANSISTOR				R 546	QRE141J-103Y	C RESISTOR	10K 5% 1/4W	
	Q 573	2SC2785/FE/-T	TRANSISTOR				R 551	QRE141J-472Y	C RESISTOR	4.7K 5% 1/4W	
	R 401	QRE141J-102Y	C RESISTOR	1.0K 5% 1/4W			R 552	QRE141J-472Y	C RESISTOR	4.7K 5% 1/4W	
	R 402	QRE141J-102Y	C RESISTOR	1.0K 5% 1/4W			R 553	QRE141J-113Y	C RESISTOR	11K 5% 1/4W	
	R 403	QRE141J-472Y	C RESISTOR	4.7K 5% 1/4W			R 554	QRE141J-113Y	C RESISTOR	11K 5% 1/4W	
	R 404	QRE141J-472Y	C RESISTOR	4.7K 5% 1/4W			R 570	QRE141J-562Y	C RESISTOR	5.6K 5% 1/4W	
	R 405	QRE141J-223Y	C RESISTOR	22K 5% 1/4W			R 571	QRE141J-271Y	C RESISTOR	270 5% 1/4W	
	R 406	QRE141J-223Y	C RESISTOR	22K 5% 1/4W			R 572	QRE141J-473Y	C RESISTOR	47K 5% 1/4W	
	R 407	QRE141J-272Y	C RESISTOR	2.7K 5% 1/4W			R 573	QRE141J-113Y	C RESISTOR	11K 5% 1/4W	
	R 411	QRE141J-363Y	C RESISTOR	36K 5% 1/4W			R 575	QRE141J-473Y	C RESISTOR	47K 5% 1/4W	
	R 412	QRE141J-363Y	C RESISTOR	36K 5% 1/4W			R 576	QRE141J-104Y	C RESISTOR	100K 5% 1/4W	
	R 413	QRE141J-123Y	C RESISTOR	12K 5% 1/4W			R 577	QRE141J-104Y	C RESISTOR	100K 5% 1/4W	
	R 414	QRE141J-123Y	C RESISTOR	12K 5% 1/4W			R 579	QRE141J-154Y	C RESISTOR	150K 5% 1/4W	
	R 426	QRE141J-560Y	C RESISTOR	56 5% 1/4W			R 580	QRE141J-682Y	C RESISTOR	6.8K 5% 1/4W	
	R 435	QRE141J-683Y	C RESISTOR	68K 5% 1/4W			R 581	QRE141J-224Y	C RESISTOR	220K 5% 1/4W	
	R 440	QRE141J-912Y	C RESISTOR	9.1K 5% 1/4W			R 582	QRE141J-101Y	C RESISTOR	100 5% 1/4W	
	R 442	QRE141J-682Y	C RESISTOR	6.8K 5% 1/4W			R 583	QRE141J-101Y	C RESISTOR	100 5% 1/4W	
	R 443	QRE141J-243Y	C RESISTOR	24K 5% 1/4W			R 585	QRE141J-104Y	C RESISTOR	100K 5% 1/4W	
	R 444	QRE141J-682Y	C RESISTOR	6.8K 5% 1/4W			R 587	QRE141J-101Y	C RESISTOR	100 5% 1/4W	
	R 445	QRE141J-243Y	C RESISTOR	24K 5% 1/4W			R 588	QRE141J-102Y	C RESISTOR	1.0K 5% 1/4W	
	R 446	QRE141J-392Y	C RESISTOR	3.9K 5% 1/4W			R 589	QRE141J-102Y	C RESISTOR	1.0K 5% 1/4W	
	R 447	QRE141J-104Y	C RESISTOR	100K 5% 1/4W			SP434	GV40205-001A	IC HOLDER		
	R 450	QRE141J-124Y	C RESISTOR	120K 5% 1/4W							
	R 451	QRE141J-183Y	C RESISTOR	18K 5% 1/4W							
	R 452	QRE141J-682Y	C RESISTOR	6.8K 5% 1/4W							
	R 453	QRE141J-563Y	C RESISTOR	56K 5% 1/4W							
	R 454	QRE141J-154Y	C RESISTOR	150K 5% 1/4W							
	R 455	QRE141J-563Y	C RESISTOR	56K 5% 1/4W							
	R 456	QRE141J-154Y	C RESISTOR	150K 5% 1/4W							
	R 458	QRE141J-102Y	C RESISTOR	1.0K 5% 1/4W							
	R 459	QRE141J-102Y	C RESISTOR	1.0K 5% 1/4W							
	R 460	QRE141J-102Y	C RESISTOR	1.0K 5% 1/4W							
	R 477	QRE141J-123Y	C RESISTOR	12K 5% 1/4W							
	R 478	QRE141J-122Y	C RESISTOR	1.2K 5% 1/4W							
	R 480	QRE141J-103Y	C RESISTOR	10K 5% 1/4W							
	R 481	QRE141J-103Y	C RESISTOR	10K 5% 1/4W							
	R 482	QRE141J-103Y	C RESISTOR	10K 5% 1/4W							
	R 493	QRE141J-103Y	C RESISTOR	10K 5% 1/4W							
	R 494	QRE141J-103Y	C RESISTOR	10K 5% 1/4W							
	R 495	QRE141J-103Y	C RESISTOR	10K 5% 1/4W							
	R 496	QRE141J-102Y	C RESISTOR	1.0K 5% 1/4W							
	R 497	QRE141J-103Y	C RESISTOR	10K 5% 1/4W							
	R 501	QRE141J-104Y	C RESISTOR	100K 5% 1/4W							
	R 502	QRE141J-104Y	C RESISTOR	100K 5% 1/4W							
	R 503	QRE141J-303Y	C RESISTOR	30K 5% 1/4W							
	R 504	QRE141J-104Y	C RESISTOR	100K 5% 1/4W							
	R 505	QRE141J-223Y	C RESISTOR	22K 5% 1/4W							
	R 506	QRE141J-223Y	C RESISTOR	22K 5% 1/4W							
	R 507	QRE141J-303Y	C RESISTOR	30K 5% 1/4W							
	R 508	QRE141J-274Y	C RESISTOR	270K 5% 1/4W							
	R 509	QRE141J-101Y	C RESISTOR	100 5% 1/4W							
	R 510	QRE141J-823Y	C RESISTOR	82K 5% 1/4W							
	R 511	QRE141J-104Y	C RESISTOR	100K 5% 1/4W							
	R 512	QRE141J-563Y	C RESISTOR	56K 5% 1/4W							
	R 513	QRE141J-103Y	C RESISTOR	10K 5% 1/4W							
	R 514	QRE141J-822Y	C RESISTOR	8.2K 5% 1/4W							
	R 515	QRE141J-114Y	C RESISTOR	110K 5% 1/4W							
△	R 533	QRZ9006-4R7X	F RESISTOR	4.7 1/4W							
	R 534	QRE141J-473Y	C RESISTOR	47K 5% 1/4W							

## ■ Electrical parts list (Front board)

Block No. 03

△	Item	Parts number	Parts name	Remarks	Area	△	Item	Parts number	Parts name	Remarks	Area
	BZ801	QAN0045-001	BUZZER				C 902	QCFB1HZ-105Y	C CAPACITOR	1.0MF +80:-20%	
	C 201	QFKC2EK-104	METAL CAPACITOR	.10MF 10% 250V			C 958	QDYB1CM-103Y	C CAPACITOR		
	C 202	QFKC2EK-104	METAL CAPACITOR	.10MF 10% 250V			C 959	QDYB1CM-103Y	C CAPACITOR		
	C 203	QFKC2EK-104	METAL CAPACITOR	.10MF 10% 250V			C 960	QDYB1CM-103Y	C CAPACITOR		
	C 204	QEZ0581-478	E CAPACITOR	4700MF			C 961	QDYB1CM-103Y	C CAPACITOR		
	C 205	QEZ0581-478	E CAPACITOR	4700MF			C 962	QDYB1CM-103Y	C CAPACITOR		
	C 211	QFLM1HJ-823Z	M CAPACITOR	.082MF 5% 50V			C 963	QDYB1CM-103Y	C CAPACITOR		
	C 212	QFLM1HJ-823Z	M CAPACITOR	.082MF 5% 50V			CN 43	QGF1210G1-09	CONNECTOR		
	C 213	QFLM1HJ-823Z	M CAPACITOR	.082MF 5% 50V			CN205	QGB2510J1-15	CONNECTOR		
	C 214	QETM1HM-228	E CAPACITOR	2200MF 20% 50V			CN206	QGA2501F1-02	CONNECTOR		
	C 215	QETM1HM-228	E CAPACITOR	2200MF 20% 50V			CN207	QGB2510K2-07	CONNECTOR		
	C 217	QETN1JM-107Z	E CAPACITOR	100MF 20% 63V			CN701	QGD2503F1-04	SOCKET		
	C 218	QETN1HM-226Z	E CAPACITOR	22MF 20% 50V			CN860	QGF1210G1-21	CONNECTOR		
	C 219	QDYB1CM-103Y	C CAPACITOR				CN880	QGF1210G1-13	CONNECTOR		
	C 220	QETN1HM-226Z	E CAPACITOR	22MF 20% 50V			CN890	QGF1205F1-13	CONNECTOR		
	C 221	QETN1HM-475Z	E CAPACITOR	4.7MF 20% 50V		△	CP 1	ICP-N15-T	ICP		
	C 222	QETN1HM-475Z	E CAPACITOR	4.7MF 20% 50V			C1003	QDXB1CM-222Y	C CAPACITOR		
	C 236	QETM1EM-338	E CAPACITOR	3300MF 20% 25V			C1004	QDGB1HK-102Y	C CAPACITOR		
	C 240	QETN1HM-106Z	E CAPACITOR	10MF 20% 50V			C1005	QDGB1HK-102Y	C CAPACITOR		
	C 260	QETN1EM-476Z	E CAPACITOR	47MF 20% 25V			C1006	QDGB1HK-102Y	C CAPACITOR		
	C 601	FQCF31HZ-223Z	D CAPACITOR			△	D 201	1N5402M-20	DIODE		
	C 602	FQCF31HZ-223Z	D CAPACITOR			△	D 202	1N5402M-20	DIODE		
	C 603	QCBB1HK-221Y	C CAPACITOR	220PF 10% 50V		△	D 203	1N5402M-20	DIODE		
	C 604	QCBB1HK-221Y	C CAPACITOR	220PF 10% 50V		△	D 204	1N5402M-20	DIODE		
	C 605	QCBB1HK-221Y	C CAPACITOR	220PF 10% 50V		△	D 211	1N5402M-20	DIODE		
	C 606	QCBB1HK-221Y	C CAPACITOR	220PF 10% 50V		△	D 212	1N5402M-20	DIODE		
	C 607	QETN1JM-476Z	E CAPACITOR	47MF 20% 63V		△	D 213	1N5402M-20	DIODE		
	C 608	QETN1JM-476Z	E CAPACITOR	47MF 20% 63V		△	D 214	1N5402M-20	DIODE		
	C 609	QCSB1HJ-100Y	C CAPACITOR	10PF 5% 50V			D 219	DZ33BSC-T2	ZENER DIODE		
	C 610	QCSB1HJ-100Y	C CAPACITOR	10PF 5% 50V			D 220	DZ9.1BSB-T2	ZENER DIODE		
	C 611	QETN1HM-476Z	E CAPACITOR	47MF 20% 50V			D 221	1SS119-041-T2	SI DIODE		
	C 612	QETN1HM-476Z	E CAPACITOR	47MF 20% 50V			D 240	DZ13BSB-T2	ZENER DIODE		
	C 613	QFLM1HJ-473Z	M CAPACITOR	.047MF 5% 50V			D 260	1SS119-041-T2	SI DIODE		
	C 614	QFLM1HJ-473Z	M CAPACITOR	.047MF 5% 50V			D 261	1SS119-041-T2	SI DIODE		
	C 615	QFLM1HJ-473Z	M CAPACITOR	.047MF 5% 50V			D 262	1SS119-041-T2	SI DIODE		
	C 616	QFLM1HJ-473Z	M CAPACITOR	.047MF 5% 50V			D 263	1SS119-041-T2	SI DIODE		
	C 621	QTE1V06-106Z	E CAPACITOR				D 264	DZ5.1BSB-T2	ZENER DIODE		
	C 622	QTE1V06-106Z	E CAPACITOR				D 619	1SS119-041-T2	SI DIODE		
	C 623	QTE1V06-106Z	E CAPACITOR				D 620	1SS119-041-T2	SI DIODE		
	C 624	QTE1V06-106Z	E CAPACITOR				D 622	DZ9.1BSB-T2	ZENER DIODE		
	C 639	QETN1HM-105Z	E CAPACITOR	1.0MF 20% 50V			D 650	1SS119-041-T2	SI DIODE		
	C 801	FQCF31HP-103Z	C CAPACITOR				D 725	1SS119-041-T2	SI DIODE		
	C 803	QEKCOJM-227Z	E CAPACITOR	220MF 20% 6.3V			D 801	1SS119-041-T2	SI DIODE		
	C 804	QEKCOJM-227Z	E CAPACITOR	220MF 20% 6.3V			D 802	1SS119-041-T2	SI DIODE		
	C 805	QDGB1HK-102Y	C CAPACITOR				D 803	RB721Q-40-T2	SI DIODE		
	C 806	QEKCOJM-227Z	E CAPACITOR	220MF 20% 6.3V			D 804	1SS119-041-T2	SI DIODE		
	C 808	QCSB1HJ-270Y	C CAPACITOR	27PF 5% 50V			D 805	1SS119-041-T2	SI DIODE		
	C 809	QCSB1HJ-300Y	C CAPACITOR	30PF 5% 50V			D 806	1SS119-041-T2	SI DIODE		
	C 815	QEKCOJM-226Z	E CAPACITOR	22MF 20% 50V			D 807	RB721Q-40-T2	SI DIODE		
	C 817	QETN1HM-226Z	E CAPACITOR	22MF 20% 50V			D 810	1SS119-041-T2	SI DIODE		
	C 820	QCZ0202-155Z	ML C CAPACITOR	1.5MF			D 831	DZ5.1BSB-T2	ZENER DIODE		
	C 821	QDYB1CM-103Y	C CAPACITOR				D 832	DZ5.1BSB-T2	ZENER DIODE		
	C 823	QFVJ1HJ-334Z	M CAPACITOR	.33MF 5% 50V			D 833	DZ4.3BSB-T2	ZENER DIODE		
	C 825	QDGB1HK-102Y	C CAPACITOR				D 901	L-192ZSRD-T	LED		
	C 831	QDYB1CM-103Y	C CAPACITOR				D 902	L-192ZSRD-T	LED		
	C 832	QDYB1CM-103Y	C CAPACITOR				D 903	L-192ZSRD-T	LED		
	C 835	QDGB1HK-102Y	C CAPACITOR				D 942	L-192ZSRD-T	LED		
	C 836	QEKCOJM-106Z	E CAPACITOR	10MF 20% 25V			D 943	L-192ZSRD-T	LED		
	C 837	QETN1AM-107Z	E CAPACITOR	100MF 20% 10V			D 944	L-192ZSRD-T	LED		
	C 838	QDGB1HK-102Y	C CAPACITOR				D 945	L-192ZSRD-T	LED		
	C 840	QEKCOJM-107Z	E CAPACITOR	100MF 20% 6.3V			D 946	L-192ZSRD-T	LED		
	C 889	QEKCOJM-475Z	E CAPACITOR	4.7MF 20% 50V			D 947	L-192ZSRD-T	LED		
	C 901	QCFB1HZ-105Y	C CAPACITOR	1.0MF +80:-20%			D 948	L-192ZSRD-T	LED		



## ■ Electrical parts list (Front board)

Block No. 03

△	Item	Parts number	Parts name	Remarks	Area	△	Item	Parts number	Parts name	Remarks	Area
	D 950	L-192ZSRD-T	LED				Q 890	2SD1991A/RS/-T	TRANSISTOR		
	D 951	L-192ZSRD-T	LED				Q 916	KTA1267/YG/-T	TRANSISTOR		
	D 962	L-192ZSRD-T	LED				Q 917	KRC102M-T	D.TRANSISTOR		
	D 972	LC503MUR1-30Q	LED				Q 961	KTA1267/YG/-T	TRANSISTOR		
	D 973	LC503MUR1-30Q	LED				Q 962	KRC102M-T	D.TRANSISTOR		
	D1003	DZ2.4BSB-T2	ZENER DIODE			△	R 202	QRJ146J-470X	UNF C RESISTOR	47 5% 1/4W	
	FL801	QLF0096-001	FL TUBE				R 203	QRE141J-752Y	C RESISTOR	7.5K 5% 1/4W	
	FW202	QUM157-07DGZ4	FLAT WIRE				R 204	QRE141J-223Y	C RESISTOR	22K 5% 1/4W	
	FW204	QJK015-050604	FLAT WIRE				R 205	QRE141J-104Y	C RESISTOR	100K 5% 1/4W	
	FW221	QUM156-13DGZ4	FLAT WIRE				R 215	QRE141J-473Y	C RESISTOR	47K 5% 1/4W	
	FW711	QUM154-33DGZ4	FLAT WIRE				R 216	QRE141J-473Y	C RESISTOR	47K 5% 1/4W	
	FW800	QUM023-05Z4Z4	FLAT WIRE				R 217	QRE141J-273Y	C RESISTOR	27K 5% 1/4W	
△	IC240	KIA7812API	IC			△	R 218	QRE141J-273Y	C RESISTOR	27K 5% 1/4W	
△	IC602	STK402-050	IC(HYBRID)			△	R 240	QRZ9005-100X	F RESISTOR	10 1/4W	
	IC810	UPD784975AGF303	IC				R 260	QRE141J-202Y	C RESISTOR	2.0K 5% 1/4W	
	IC811	BU2092	IC				R 261	QRE141J-202Y	C RESISTOR	2.0K 5% 1/4W	
	IC951	GP1UM271XK	IR DETECT UNIT				R 262	QRE141J-202Y	C RESISTOR	2.0K 5% 1/4W	
	J 81	QNB0151-002	SPK TERMINAL				R 263	QRE141J-202Y	C RESISTOR	2.0K 5% 1/4W	
	JS958	QSW0984-001	ROTARY ENCODER	SEARCH		△	R 601	QRJ146J-101X	UNF C RESISTOR	100 5% 1/4W	
	JS960	QSW0983-001	ROTARY ENCODER	S/MODE VOL		△	R 602	QRJ146J-101X	UNF C RESISTOR	100 5% 1/4W	
	JS962	QSW0862-001	ROTARY SWITCH	MAIN VOL			R 603	QRE141J-563Y	C RESISTOR	56K 5% 1/4W	
	J1001	QNS0204-001	3.5 JACK				R 604	QRE141J-563Y	C RESISTOR	56K 5% 1/4W	
	L 601	QQLZ035-R39	INDUCTOR			△	R 605	FQRJ143J-122X	UNF C RESISTOR		
	L 602	QQLZ035-R39	INDUCTOR			△	R 606	FQRJ143J-122X	UNF C RESISTOR		
	L 801	QQL244K-100Z	INDUCTOR				R 607	QRE141J-563Y	C RESISTOR	56K 5% 1/4W	
	L 802	QQL231K-220Y	INDUCTOR				R 608	QRE141J-563Y	C RESISTOR	56K 5% 1/4W	
	L 803	QQL29BJ-100Z	INDUCTOR			△	R 613	QRJ146J-100X	UNF C RESISTOR	10 5% 1/4W	
	L 805	QQL244K-100Z	INDUCTOR			△	R 614	QRJ146J-100X	UNF C RESISTOR	10 5% 1/4W	
	L 806	QQL244K-100Z	INDUCTOR			△	R 615	FQRJ143J-100X	UNF C RESISTOR		
	L 807	QQL231K-220Y	INDUCTOR			△	R 616	FQRJ143J-100X	UNF C RESISTOR		
	L 815	QQR0621-001Z	FERRITE BEADS				R 617	QRE141J-221Y	C RESISTOR	220 5% 1/4W	
	L 872	QQR0621-001Z	FERRITE BEADS				R 618	QRE141J-221Y	C RESISTOR	220 5% 1/4W	
	L1003	QQL231K-2R2Y	INDUCTOR				R 619	QRE141J-222Y	C RESISTOR	2.2K 5% 1/4W	
	Q 201	KTA1273/Y/-T	TRANSISTOR				R 620	QRE141J-222Y	C RESISTOR	2.2K 5% 1/4W	
	Q 260	KTC3203/OY/-T	TRANSISTOR				R 621	QRE141J-103Y	C RESISTOR	10K 5% 1/4W	
	Q 601	KTA1268/GL/-T	TRANSISTOR				R 623	QRE141J-103Y	C RESISTOR	10K 5% 1/4W	
	Q 602	KTA1268/GL/-T	TRANSISTOR			△	R 637	QRK126J-471X	C RESISTOR	470 5% 1/2W	
	Q 612	2SA1175/FE/-T	TRANSISTOR			△	R 639	QRL01DJ-821X	OMF RESISTOR	820 5% 1W	
	Q 613	KRC102M-T	D.TRANSISTOR			△	R 640	QRL01DJ-821X	OMF RESISTOR	820 5% 1W	
	Q 690	2SC2785/FE/-T	TRANSISTOR			△	R 653	QRT01DJ-R22X	MF RESISTOR	5% 1W	
	Q 733	2SC3576-JVC-T	TRANSISTOR			△	R 655	QRT01DJ-R22X	MF RESISTOR	5% 1W	
	Q 734	2SC3576-JVC-T	TRANSISTOR				R 666	QRE141J-333Y	C RESISTOR	33K 5% 1/4W	
	Q 735	2SC3576-JVC-T	TRANSISTOR				R 667	QRE141J-103Y	C RESISTOR	10K 5% 1/4W	
	Q 736	2SC3576-JVC-T	TRANSISTOR				R 668	QRE141J-103Y	C RESISTOR	10K 5% 1/4W	
	Q 737	KRA111M-T	D TRANSISTOR			△	R 674	QRJ146J-100X	UNF C RESISTOR	10 5% 1/4W	
	Q 810	2SD1991A/RS/-T	TRANSISTOR				R 675	QRE141J-102Y	C RESISTOR	1.0K 5% 1/4W	
	Q 811	2SD1991A/RS/-T	TRANSISTOR				R 676	QRE141J-102Y	C RESISTOR	1.0K 5% 1/4W	
	Q 812	2SD1991A/RS/-T	TRANSISTOR				R 690	QRE141J-103Y	C RESISTOR	10K 5% 1/4W	
	Q 813	2SD1991A/RS/-T	TRANSISTOR				R 725	QRE141J-823Y	C RESISTOR	82K 5% 1/4W	
	Q 814	2SD1991A/RS/-T	TRANSISTOR				R 726	QRE141J-104Y	C RESISTOR	100K 5% 1/4W	
	Q 815	2SD1991A/RS/-T	TRANSISTOR				R 733	QRE141J-472Y	C RESISTOR	4.7K 5% 1/4W	
	Q 816	2SD1991A/RS/-T	TRANSISTOR				R 734	QRE141J-472Y	C RESISTOR	4.7K 5% 1/4W	
	Q 817	2SD1991A/RS/-T	TRANSISTOR				R 735	QRE141J-472Y	C RESISTOR	4.7K 5% 1/4W	
	Q 818	2SD1991A/RS/-T	TRANSISTOR				R 736	QRE141J-472Y	C RESISTOR	4.7K 5% 1/4W	
	Q 819	2SD1991A/RS/-T	TRANSISTOR			△	R 737	QRK126J-471X	C RESISTOR	470 5% 1/2W	
	Q 820	2SD1991A/RS/-T	TRANSISTOR				R 801	QRE141J-331Y	C RESISTOR	330 5% 1/4W	
	Q 821	2SD1991A/RS/-T	TRANSISTOR				R 802	QRE141J-270Y	C RESISTOR	27 5% 1/4W	
	Q 822	2SD1991A/RS/-T	TRANSISTOR				R 805	QRE141J-103Y	C RESISTOR	10K 5% 1/4W	
	Q 823	2SD1991A/RS/-T	TRANSISTOR				R 806	QRE141J-103Y	C RESISTOR	10K 5% 1/4W	
	Q 833	KRA111M-T	D.TRANSISTOR				R 807	QRE141J-102Y	C RESISTOR	1.0K 5% 1/4W	
	Q 858	2SD1991A/RS/-T	TRANSISTOR				R 808	QRE141J-104Y	C RESISTOR	100K 5% 1/4W	
	Q 875	KRC102M-T	D.TRANSISTOR				R 810	QRE141J-103Y	C RESISTOR	10K 5% 1/4W	
	Q 879	2SD1991A/RS/-T	TRANSISTOR				R 811	QRE141J-103Y	C RESISTOR	10K 5% 1/4W	

## ■ Electrical parts list (Front board)

Block No. 03

△	Item	Parts number	Parts name	Remarks	Area	△	Item	Parts number	Parts name	Remarks	Area
	R 812	QRE141J-103Y	C RESISTOR	10K 5% 1/4W			R 880	QRE141J-104Y	C RESISTOR	100K 5% 1/4W	
	R 813	QRE141J-221Y	C RESISTOR	220 5% 1/4W			R 881	QRE141J-103Y	C RESISTOR	10K 5% 1/4W	
	R 814	QRE141J-562Y	C RESISTOR	5.6K 5% 1/4W			R 882	QRE141J-103Y	C RESISTOR	10K 5% 1/4W	
	R 815	QRE141J-103Y	C RESISTOR	10K 5% 1/4W			R 883	QRE141J-103Y	C RESISTOR	10K 5% 1/4W	
	R 816	QRE141J-104Y	C RESISTOR	100K 5% 1/4W			R 884	QRE141J-102Y	C RESISTOR	1.0K 5% 1/4W	
	R 817	QRE141J-103Y	C RESISTOR	10K 5% 1/4W			R 885	QRE141J-103Y	C RESISTOR	10K 5% 1/4W	
	R 818	QRE141J-103Y	C RESISTOR	10K 5% 1/4W			R 886	QRE141J-103Y	C RESISTOR	10K 5% 1/4W	
	R 819	QRE141J-102Y	C RESISTOR	1.0K 5% 1/4W			R 887	QRE141J-221Y	C RESISTOR	220 5% 1/4W	
	R 820	QRE141J-102Y	C RESISTOR	1.0K 5% 1/4W			R 888	QRE141J-221Y	C RESISTOR	220 5% 1/4W	
	R 821	QRE141J-104Y	C RESISTOR	100K 5% 1/4W			R 889	QRE141J-221Y	C RESISTOR	220 5% 1/4W	
	R 822	QRE141J-104Y	C RESISTOR	100K 5% 1/4W			R 890	QRE141J-133Y	C RESISTOR	13K 5% 1/4W	
	R 823	QRE141J-104Y	C RESISTOR	100K 5% 1/4W			R 891	QRE141J-104Y	C RESISTOR	100K 5% 1/4W	
	R 824	QRE141J-104Y	C RESISTOR	100K 5% 1/4W			R 892	QRE141J-103Y	C RESISTOR	10K 5% 1/4W	
	R 825	QRE141J-104Y	C RESISTOR	100K 5% 1/4W			R 893	QRE141J-102Y	C RESISTOR	1.0K 5% 1/4W	
	R 826	QRE141J-104Y	C RESISTOR	100K 5% 1/4W			R 894	QRE141J-102Y	C RESISTOR	1.0K 5% 1/4W	
	R 827	QRE141J-102Y	C RESISTOR	1.0K 5% 1/4W			R 895	QRE141J-102Y	C RESISTOR	1.0K 5% 1/4W	
	R 828	QRE141J-103Y	C RESISTOR	10K 5% 1/4W			R 896	QRE141J-103Y	C RESISTOR	10K 5% 1/4W	
	R 829	QRE141J-103Y	C RESISTOR	10K 5% 1/4W			R 897	QRE141J-103Y	C RESISTOR	10K 5% 1/4W	
	R 830	QRE141J-104Y	C RESISTOR	100K 5% 1/4W			R 899	QRE141J-103Y	C RESISTOR	10K 5% 1/4W	
	R 831	QRE141J-104Y	C RESISTOR	100K 5% 1/4W			R 900	QRE141J-102Y	C RESISTOR	1.0K 5% 1/4W	
	R 832	QRE141J-104Y	C RESISTOR	100K 5% 1/4W			R 901	QRE141J-102Y	C RESISTOR	1.0K 5% 1/4W	
	R 833	QRE141J-104Y	C RESISTOR	100K 5% 1/4W			R 902	QRE141J-122Y	C RESISTOR	1.2K 5% 1/4W	
	R 834	QRE141J-104Y	C RESISTOR	100K 5% 1/4W			R 903	QRE141J-152Y	C RESISTOR	1.5K 5% 1/4W	
	R 835	QRE141J-104Y	C RESISTOR	100K 5% 1/4W			R 904	QRE141J-222Y	C RESISTOR	2.2K 5% 1/4W	
	R 836	QRE141J-104Y	C RESISTOR	100K 5% 1/4W			R 905	QRE141J-272Y	C RESISTOR	2.7K 5% 1/4W	
	R 837	QRE141J-104Y	C RESISTOR	100K 5% 1/4W			R 906	QRE141J-392Y	C RESISTOR	3.9K 5% 1/4W	
	R 838	QRE141J-102Y	C RESISTOR	1.0K 5% 1/4W			R 907	QRE141J-163Y	C RESISTOR	16K 5% 1/4W	
	R 839	QRE141J-102Y	C RESISTOR	1.0K 5% 1/4W			R 908	QRE141J-103Y	C RESISTOR	10K 5% 1/4W	
	R 840	QRE141J-103Y	C RESISTOR	10K 5% 1/4W			R 909	QRE141J-334Y	C RESISTOR	330K 5% 1/4W	
	R 841	QRE141J-103Y	C RESISTOR	10K 5% 1/4W			R 911	QRE141J-201Y	C RESISTOR	200 5% 1/4W	
	R 842	QRE141J-104Y	C RESISTOR	100K 5% 1/4W			R 912	QRE141J-201Y	C RESISTOR	200 5% 1/4W	
	R 844	QRE141J-104Y	C RESISTOR	100K 5% 1/4W			R 913	QRE141J-201Y	C RESISTOR	200 5% 1/4W	
	R 845	QRE141J-102Y	C RESISTOR	1.0K 5% 1/4W			R 916	QRE141J-223Y	C RESISTOR	22K 5% 1/4W	
	R 846	QRE141J-102Y	C RESISTOR	1.0K 5% 1/4W			R 917	QRE141J-103Y	C RESISTOR	10K 5% 1/4W	
	R 847	QRE141J-102Y	C RESISTOR	1.0K 5% 1/4W			R 918	QRE141J-133Y	C RESISTOR	13K 5% 1/4W	
	R 848	QRE141J-331Y	C RESISTOR	330 5% 1/4W			R 919	QRE141J-104Y	C RESISTOR	100K 5% 1/4W	
	R 849	QRE141J-102Y	C RESISTOR	1.0K 5% 1/4W			R 920	QRE141J-102Y	C RESISTOR	1.0K 5% 1/4W	
	R 850	QRE141J-102Y	C RESISTOR	1.0K 5% 1/4W			R 921	QRE141J-102Y	C RESISTOR	1.0K 5% 1/4W	
	R 851	QRE141J-153Y	C RESISTOR	15K 5% 1/4W			R 922	QRE141J-122Y	C RESISTOR	1.2K 5% 1/4W	
	R 852	QRE141J-104Y	C RESISTOR	100K 5% 1/4W			R 923	QRE141J-152Y	C RESISTOR	1.5K 5% 1/4W	
	R 853	QRE141J-104Y	C RESISTOR	100K 5% 1/4W			R 924	QRE141J-222Y	C RESISTOR	2.2K 5% 1/4W	
	R 854	QRE141J-102Y	C RESISTOR	1.0K 5% 1/4W			R 925	QRE141J-272Y	C RESISTOR	2.7K 5% 1/4W	
	R 855	QRE141J-102Y	C RESISTOR	1.0K 5% 1/4W			R 926	QRE141J-392Y	C RESISTOR	3.9K 5% 1/4W	
	R 856	QRE141J-102Y	C RESISTOR	1.0K 5% 1/4W			R 927	QRE141J-562Y	C RESISTOR	5.6K 5% 1/4W	
	R 857	QRE141J-102Y	C RESISTOR	1.0K 5% 1/4W			R 928	QRE141J-103Y	C RESISTOR	10K 5% 1/4W	
	R 858	QRE141J-102Y	C RESISTOR	1.0K 5% 1/4W			R 929	QRE141J-334Y	C RESISTOR	330K 5% 1/4W	
	R 859	QRE141J-102Y	C RESISTOR	1.0K 5% 1/4W			R 930	QRE141J-104Y	C RESISTOR	100K 5% 1/4W	
	R 860	QRE141J-102Y	C RESISTOR	1.0K 5% 1/4W			R 931	QRE141J-104Y	C RESISTOR	100K 5% 1/4W	
	R 861	QRE141J-102Y	C RESISTOR	1.0K 5% 1/4W			R 932	QRE141J-104Y	C RESISTOR	100K 5% 1/4W	
	R 862	QRE141J-102Y	C RESISTOR	1.0K 5% 1/4W			R 933	QRE141J-104Y	C RESISTOR	100K 5% 1/4W	
	R 863	QRE141J-102Y	C RESISTOR	1.0K 5% 1/4W			R 934	QRE141J-104Y	C RESISTOR	100K 5% 1/4W	
	R 865	QRE141J-102Y	C RESISTOR	1.0K 5% 1/4W			R 935	QRE141J-104Y	C RESISTOR	100K 5% 1/4W	
	R 866	QRE141J-102Y	C RESISTOR	1.0K 5% 1/4W			R 936	QRE141J-104Y	C RESISTOR	100K 5% 1/4W	
	R 867	QRE141J-102Y	C RESISTOR	1.0K 5% 1/4W			R 937	QRE141J-104Y	C RESISTOR	100K 5% 1/4W	
	R 868	QRE141J-133Y	C RESISTOR	13K 5% 1/4W			R 938	QRE141J-104Y	C RESISTOR	100K 5% 1/4W	
	R 869	QRE141J-102Y	C RESISTOR	1.0K 5% 1/4W			R 939	QRE141J-104Y	C RESISTOR	100K 5% 1/4W	
	R 871	QRE141J-102Y	C RESISTOR	1.0K 5% 1/4W			R 940	QRE141J-104Y	C RESISTOR	100K 5% 1/4W	
	R 872	QRE141J-102Y	C RESISTOR	1.0K 5% 1/4W			R 941	QRE141J-102Y	C RESISTOR	1.0K 5% 1/4W	
	R 873	QRE141J-102Y	C RESISTOR	1.0K 5% 1/4W			R 942	QRE141J-102Y	C RESISTOR	1.0K 5% 1/4W	
	R 876	QRE141J-103Y	C RESISTOR	10K 5% 1/4W			R 943	QRE141J-122Y	C RESISTOR	1.2K 5% 1/4W	
	R 877	QRE141J-133Y	C RESISTOR	13K 5% 1/4W			R 944	QRE141J-152Y	C RESISTOR	1.5K 5% 1/4W	
	R 878	QRE141J-104Y	C RESISTOR	100K 5% 1/4W			R 945	QRE141J-222Y	C RESISTOR	2.2K 5% 1/4W	
	R 879	QRE141J-104Y	C RESISTOR	100K 5% 1/4W			R 946	QRE141J-272Y	C RESISTOR	2.7K 5% 1/4W	

## ■ Electrical parts list (Front board)

Block No. 03

△	Item	Parts number	Parts name	Remarks	Area
	R 947	QRE141J-392Y	C RESISTOR	3.9K 5% 1/4W	
	R 948	QRE141J-562Y	C RESISTOR	5.6K 5% 1/4W	
	R 949	QRE141J-103Y	C RESISTOR	10K 5% 1/4W	
	R 950	QRE141J-334Y	C RESISTOR	330K 5% 1/4W	
	R 952	QRE141J-201Y	C RESISTOR	200 5% 1/4W	
	R 953	QRE141J-201Y	C RESISTOR	200 5% 1/4W	
	R 954	QRE141J-201Y	C RESISTOR	200 5% 1/4W	
	R 955	QRE141J-201Y	C RESISTOR	200 5% 1/4W	
	R 956	QRE141J-201Y	C RESISTOR	200 5% 1/4W	
	R 957	QRE141J-201Y	C RESISTOR	200 5% 1/4W	
	R 958	QRE141J-201Y	C RESISTOR	200 5% 1/4W	
	R 959	QRE141J-201Y	C RESISTOR	200 5% 1/4W	
	R 960	QRE141J-201Y	C RESISTOR	200 5% 1/4W	
	R 961	QRE141J-101Y	C RESISTOR	100 5% 1/4W	
	R 962	QRE141J-472Y	C RESISTOR	4.7K 5% 1/4W	
	R 963	QRE141J-101Y	C RESISTOR	100 5% 1/4W	
	R 969	QRE141J-472Y	C RESISTOR	4.7K 5% 1/4W	
	R 970	QRE141J-103Y	C RESISTOR	10K 5% 1/4W	
	R 971	QRE141J-103Y	C RESISTOR	10K 5% 1/4W	
	R 972	QRE141J-102Y	C RESISTOR	1.0K 5% 1/4W	
	R 973	QRE141J-102Y	C RESISTOR	1.0K 5% 1/4W	
	R 975	QRE141J-102Y	C RESISTOR	1.0K 5% 1/4W	
	R 976	QRE141J-102Y	C RESISTOR	1.0K 5% 1/4W	
	R 978	QRE141J-102Y	C RESISTOR	1.0K 5% 1/4W	
	R 980	QRE141J-104Y	C RESISTOR	100K 5% 1/4W	
	R 981	QRE141J-104Y	C RESISTOR	100K 5% 1/4W	
	R 982	QRE141J-133Y	C RESISTOR	13K 5% 1/4W	
	R 983	QRE141J-104Y	C RESISTOR	100K 5% 1/4W	
	R 984	QRE141J-104Y	C RESISTOR	100K 5% 1/4W	
	R 985	QRE141J-104Y	C RESISTOR	100K 5% 1/4W	
	R 986	QRE141J-133Y	C RESISTOR	13K 5% 1/4W	
	R 987	QRE141J-104Y	C RESISTOR	100K 5% 1/4W	
	R 988	QRE141J-133Y	C RESISTOR	13K 5% 1/4W	
	R 989	QRE141J-133Y	C RESISTOR	13K 5% 1/4W	
	R 990	QRE141J-133Y	C RESISTOR	13K 5% 1/4W	
	R 991	QRE141J-133Y	C RESISTOR	13K 5% 1/4W	
	R 992	QRE141J-133Y	C RESISTOR	13K 5% 1/4W	
	R 993	QRE141J-104Y	C RESISTOR	100K 5% 1/4W	
	R 994	QRE141J-104Y	C RESISTOR	100K 5% 1/4W	
	R 998	QRE141J-103Y	C RESISTOR	10K 5% 1/4W	
	RY 1	QSK0109-001	RELAY		
	RY 2	QSK0109-001	RELAY		
	S 900	QSW0674-001Z	TACT SWITCH		
	S 901	QSW0674-001Z	TACT SWITCH		
	S 902	QSW0674-001Z	TACT SWITCH		
	S 903	QSW0674-001Z	TACT SWITCH		
	S 904	QSW0674-001Z	TACT SWITCH		
	S 905	QSW0674-001Z	TACT SWITCH		
	S 906	QSW0674-001Z	TACT SWITCH		
	S 920	QSW0674-001Z	TACT SWITCH		
	S 921	QSW0674-001Z	TACT SWITCH		
	S 922	QSW0674-001Z	TACT SWITCH		
	S 923	QSW0674-001Z	TACT SWITCH		
	S 924	QSW0674-001Z	TACT SWITCH		
	S 925	QSW0674-001Z	TACT SWITCH		
	S 926	QSW0674-001Z	TACT SWITCH		
	S 927	QSW0674-001Z	TACT SWITCH		
	S 928	QSW0674-001Z	TACT SWITCH		
	S 940	QSW0674-001Z	TACT SWITCH		
	S 941	QSW0674-001Z	TACT SWITCH		
	S 942	QSW0674-001Z	TACT SWITCH		
	S 943	QSW0674-001Z	TACT SWITCH		
	S 944	QSW0674-001Z	TACT SWITCH		

△	Item	Parts number	Parts name	Remarks	Area
	S 945	QSW0674-001Z	TACT SWITCH		
	S 946	QSW0674-001Z	TACT SWITCH		
	S 947	QSW0674-001Z	TACT SWITCH		
	S 948	QSW0674-001Z	TACT SWITCH		
	S 949	QSW0674-001Z	TACT SWITCH		
	SP801	VYH7653-001	IC HOLDER		
	SP810	GV40121-004A	SPACER		
	SP811	E3400-431	SPACER		
	SP812	GV40121-004A	SPACER		
	X 801	QAX0724-001Z	CRYSTAL		

## ■ Electrical parts list (Tuner board)

Block No. 04

△	Item	Parts number	Parts name	Remarks	Area
	C 1	NCB21HK-223X	C CAPACITOR		
	C 2	NCB21HK-103X	C CAPACITOR		
	C 3	EETC1CM-106ZJC	E CAPACITOR		
	C 4	NCB21HK-103X	C CAPACITOR		
	C 6	NCB21HK-102X	C CAPACITOR		
	C 7	NCB21HK-102X	C CAPACITOR		
	C 8	NCB21HK-102X	C CAPACITOR		
	C 10	NRSA02J-0R0X	MG RESISTOR		
	C 11	NCB21HK-104X	C CAPACITOR		
	C 12	NCB21HK-473X	C CAPACITOR		
	C 13	NCS21HJ-120X	C CAPACITOR		
	C 14	QEK1AM-107Z	E CAPACITOR	100MF 20% 10V	
	C 15	NCS21HJ-120X	C CAPACITOR		
	C 16	NCS21HJ-120X	C CAPACITOR		
	C 17	NCB21HK-392X	C CAPACITOR		
	C 18	QENC1HM-474Z	NP E CAPACITOR	.47MF 20% 50V	
	C 19	NCB21HK-473X	C CAPACITOR		
	C 20	NCB21HK-102X	C CAPACITOR		
	C 21	NCB21HK-223X	C CAPACITOR		
	C 22	NCS21HJ-151X	C CAPACITOR		
	C 23	NCS21HJ-151X	C CAPACITOR		
	C 24	NCS21HJ-151X	C CAPACITOR		
	C 25	QEK1AM-107Z	E CAPACITOR	100MF 20% 10V	
	C 26	NCB21HK-102X	C CAPACITOR		
	C 27	NCB21HK-102X	C CAPACITOR		
	C 30	EEK1CM-107ZJC	E CAPACITOR		
	C 31	EEK1CM-226ZJC	E CAPACITOR		
	C 32	NCB21HK-473X	C CAPACITOR		
	C 33	NCB21HK-473X	C CAPACITOR		
	C 34	NCB21HK-223X	C CAPACITOR		
	C 35	NCB21HK-473X	C CAPACITOR		
	C 36	EEK1HM-105ZJC	E CAPACITOR		
	C 37	EEK1HM-105ZJC	E CAPACITOR		
	C 38	EETC1HM-224ZJC	E CAPACITOR		
	C 39	EETC1HM-105ZJC	E CAPACITOR		
	C 40	QETN1CM-106Z	E CAPACITOR	10MF 20% 16V	
	C 41	QETN1CM-106Z	E CAPACITOR	10MF 20% 16V	
	C 42	NCB21HK-222X	C CAPACITOR		
	C 43	NCB21HK-222X	C CAPACITOR		
	C 44	QETN1CM-106Z	E CAPACITOR	10MF 20% 16V	
	C 45	QETN1CM-106Z	E CAPACITOR	10MF 20% 16V	
	C 46	NCB21HK-273X	C CAPACITOR		
	C 47	EETC1HM-105ZJC	E CAPACITOR		
	C 48	NCB21HK-222X	C CAPACITOR		
	C 49	NCS21HJ-471X	C CAPACITOR		
	C 50	EEK1CM-226ZJC	E CAPACITOR		
	C 51	EEK1HM-105ZJC	E CAPACITOR		
	C 52	QFV1HJ-274Z	MF CAPACITOR	.27MF 5% 50V	
	C 53	EETC1CM-226ZJC	E CAPACITOR		
	C 54	NCB21HK-473X	C CAPACITOR		
	C 57	NCB21HK-102X	C CAPACITOR		
	C 58	NCB21HK-473X	C CAPACITOR		
	C 59	NCB21HK-102X	C CAPACITOR		
	CF 1	QAX0677-001Z	C FILTER		
	CF 2	QAX0677-001Z	C FILTER		
	CF 3	QAX0610-001Z	C DISCRIMINATOR		
	CN 1	QGF1205F1-09	CONNECTOR		
	D 1	1SS133-T2	SI DIODE		
	D 2	1SS133-T2	SI DIODE		
	D 3	1SS133-T2	SI DIODE		
	D 4	1SS133-T2	SI DIODE		
	D 11	1SS133-T2	SI DIODE		
	IC 1	LA1838	IC		

△	Item	Parts number	Parts name	Remarks	Area
	IC 2	LC72136N	IC		
	J 1	QNB0014-001	ANT TERMINAL		
	L 1	QQR0796-002	COIL BLOCK		
	Q 1	2SC2814/4-5/-X	TRANSISTOR		
	Q 5	KRA107S-X	TRANSISTOR		
	R 1	QRE141J-560Y	C RESISTOR	56 5% 1/4W	
	R 2	NRSA02J-331X	MG RESISTOR		
	R 3	NRSA02J-224X	MG RESISTOR		
	R 4	NRSA02J-331X	MG RESISTOR		
	R 5	NRSA02J-560X	MG RESISTOR		
	R 6	NRSA02J-240X	MG RESISTOR		
	R 10	NRSA02J-222X	MG RESISTOR		
	R 13	NRSA02J-103X	MG RESISTOR		
	R 14	NRSA02J-104X	MG RESISTOR		
	R 15	NRSA02J-332X	MG RESISTOR		
	R 16	NRSA02J-472X	MG RESISTOR		
△	R 17	QRZ9005-680X	F RESISTOR	68 1/4W	
	R 18	NRSA02J-102X	MG RESISTOR		
	R 19	NRSA02J-102X	MG RESISTOR		
	R 20	NRSA02J-102X	MG RESISTOR		
	R 21	NRSA02J-562X	MG RESISTOR		
	R 22	NRSA02J-472X	MG RESISTOR		
	R 23	NRSA02J-182X	MG RESISTOR		
	R 24	NRSA02J-103X	MG RESISTOR		
	R 25	NRSA02J-331X	MG RESISTOR		
	R 26	NRSA02J-222X	MG RESISTOR		
	R 27	NRSA02J-103X	MG RESISTOR		
	R 28	NRSA02J-103X	MG RESISTOR		
	R 29	NRSA02J-103X	MG RESISTOR		
	R 30	NRSA02J-122X	MG RESISTOR		
	R 31	NRSA02J-102X	MG RESISTOR		
	R 32	NRSA02J-102X	MG RESISTOR		
	R 33	NRSA02J-331X	MG RESISTOR		
	R 34	NRSA02J-470X	MG RESISTOR		
	R 35	NRSA02J-562X	MG RESISTOR		
	R 36	NRSA02J-332X	MG RESISTOR		
	R 37	NRSA02J-103X	MG RESISTOR		
	R 38	NRSA02J-563X	MG RESISTOR		
	R 39	NRSA02J-563X	MG RESISTOR		
	R 40	NRSA02J-243X	MG RESISTOR		
	R 41	NRSA02J-332X	MG RESISTOR		
	R 60	NRSA02J-0R0X	MG RESISTOR		
	T 1	QQR0793-001	IFT		
	TU 1	QAU0161-001	FRONT END		
	X 1	QAX0402-001	CRYSTAL		

## ■ Electrical parts list (CD servo board)

Block No. 05

▲	Item	Parts number	Parts name	Remarks	Area	▲	Item	Parts number	Parts name	Remarks	Area
	C 253	NCB31CK-104X	C CAPACITOR				C 854	NCB31EK-103X	C CAPACITOR		
	C 254	QERF1AM-476Z	E CAPACITOR	47MF 20% 10V			C 855	NCB31CK-104X	C CAPACITOR		
	C 291	QERF1AM-476Z	E CAPACITOR	47MF 20% 10V			C 859	NCF31AZ-105X	C CAPACITOR		
	C 601	NCB31HK-222X	C CAPACITOR				C 860	NCF31AZ-105X	C CAPACITOR		
	C 602	NCB31HK-222X	C CAPACITOR				CN601	QGF1016F3-16	CONNECTOR		
	C 603	NCB31EK-223X	C CAPACITOR				CN651	QGF1016F3-19	CONNECTOR		
	C 604	NCB31EK-223X	C CAPACITOR				CN801	QGA2001C1-06	6P PLUG ASSY		
	C 605	NCS31HJ-471X	C CAPACITOR				CN854	QGB2016K1-07	CONNECTOR		
	C 606	NCS31HJ-820X	C CAPACITOR				CN855	QGG2002M4-10	CONNECTOR		
	C 608	NCB31HK-122X	C CAPACITOR				D 851	DZ5.6BSB-T2	ZENER DIODE		
	C 610	NCB31CK-273X	C CAPACITOR				IC251	UPD780024A-B76	IC		
	C 612	QERF1HM-105Z	E CAPACITOR	1.0MF 20% 50V			IC601	AN22000A-W	IC		
	C 613	NCB31AK-224X	C CAPACITOR				IC602	BA15218F-XE	IC		
	C 614	NCB31CK-273X	C CAPACITOR				IC651	MN35510AL	IC		
	C 615	NCB31HK-472X	C CAPACITOR				IC652	BA15218F-XE	IC		
	C 616	NCB31EK-103X	C CAPACITOR				IC801	LA6541-X	IC		
	C 617	NCS31HJ-331X	C CAPACITOR				IC851	LB1641	IC		
	C 620	NCS31HJ-330X	C CAPACITOR				IC852	LB1641	IC		
	C 621	NCB30JK-105X	C CAPACITOR				Q 291	2SA952/LK/-T	TRANSISTOR		
	C 622	NCB31CK-473X	C CAPACITOR				Q 631	2SB709A/RS/-X	TRANSISTOR		
	C 623	NCF31AZ-105X	C CAPACITOR				R 253	NRSA63J-102X	MG RESISTOR		
	C 624	QERF0JM-107Z	E CAPACITOR	100MF 20% 6.3V			R 254	NRSA63J-102X	MG RESISTOR		
	C 625	NCB31CK-104X	C CAPACITOR				R 255	NRSA63J-102X	MG RESISTOR		
	C 631	QERF1CM-106Z	E CAPACITOR	10MF 20% 16V			R 256	NRSA63J-102X	MG RESISTOR		
	C 632	NCF31AZ-105X	C CAPACITOR				R 257	NRSA63J-102X	MG RESISTOR		
	C 633	NCB31EK-223X	C CAPACITOR				R 260	NRSA63J-222X	MG RESISTOR		
	C 641	NCB31CK-473X	C CAPACITOR				R 261	NRSA63J-223X	MG RESISTOR		
	C 642	NCB31HK-472X	C CAPACITOR				R 262	NRSA63J-223X	MG RESISTOR		
	C 651	NCS31HJ-120X	C CAPACITOR				R 263	NRSA63J-223X	MG RESISTOR		
	C 652	NCS31HJ-120X	C CAPACITOR				R 264	NRSA63J-223X	MG RESISTOR		
	C 653	NCB31CK-104X	C CAPACITOR				R 265	NRSA63J-223X	MG RESISTOR		
	C 655	NCB31CK-104X	C CAPACITOR				R 278	NRSA63J-103X	MG RESISTOR		
	C 656	NCB31CK-104X	C CAPACITOR				R 280	NRSA63J-102X	MG RESISTOR		
	C 657	QERF1AM-227Z	E CAPACITOR	220MF 20% 10V			R 281	NRSA63J-102X	MG RESISTOR		
	C 658	NCB31CK-104X	C CAPACITOR				R 284	NRSA63J-102X	MG RESISTOR		
	C 661	NCS31HJ-471X	C CAPACITOR				R 291	NRSA63J-122X	MG RESISTOR		
	C 663	NCB31EK-223X	C CAPACITOR				R 292	NRSA63J-103X	MG RESISTOR		
	C 664	NCB31EK-223X	C CAPACITOR				R 294	NRSA63J-102X	MG RESISTOR		
	C 665	NCB31AK-154X	C CAPACITOR				R 601	NRSA63J-474X	MG RESISTOR		
	C 668	NCB31CK-473X	C CAPACITOR				R 602	NRSA63J-274X	MG RESISTOR		
	C 669	QERF1AM-227Z	E CAPACITOR	220MF 20% 10V			R 603	NRSA63J-393X	MG RESISTOR		
	C 672	NCB31AK-334X	C CAPACITOR				R 604	NRSA63J-274X	MG RESISTOR		
	C 673	ECA1AAD101XI	AL E CAPACITOR				R 606	NRSA63J-623X	MG RESISTOR		
	C 677	NCB31CK-104X	C CAPACITOR				R 607	NRSA63J-393X	MG RESISTOR		
	C 679	QERF0JM-107Z	E CAPACITOR	100MF 20% 6.3V			R 608	NRSA63J-0R0X	MG RESISTOR		
	C 680	NCB31CK-104X	C CAPACITOR				R 609	NRSA63J-472X	MG RESISTOR		
	C 691	NCS31HJ-391X	C CAPACITOR				R 611	NRSA63J-822X	MG RESISTOR		
	C 692	NCS31HJ-391X	C CAPACITOR				R 613	NRSA63J-472X	MG RESISTOR		
	C 693	NCB31HK-682X	C CAPACITOR				R 614	NRSA63J-153X	MG RESISTOR		
	C 694	NCB31HK-682X	C CAPACITOR				R 618	NRSA63J-472X	MG RESISTOR		
	C 695	NCB31CK-473X	C CAPACITOR				R 619	NRSA63J-472X	MG RESISTOR		
	C 696	QERF1CM-106Z	E CAPACITOR	10MF 20% 16V			R 620	NRSA63J-472X	MG RESISTOR		
	C 699	QERF1AM-227Z	E CAPACITOR	220MF 20% 10V			R 621	NRSA63J-472X	MG RESISTOR		
	C 801	NCB31HK-682X	C CAPACITOR				R 622	NRSA63J-223X	MG RESISTOR		
	C 802	NCB31HK-472X	C CAPACITOR				R 623	NRSA63J-223X	MG RESISTOR		
	C 811	NCS31HJ-391X	C CAPACITOR				R 626	NRSA63J-103X	MG RESISTOR		
	C 812	NCS31HJ-391X	C CAPACITOR				R 627	NRSA63J-103X	MG RESISTOR		
	C 813	NCS31HJ-391X	C CAPACITOR				R 628	NRSA63J-155X	MG RESISTOR		
	C 814	NCS31HJ-391X	C CAPACITOR				R 631	NRSA63J-2R2X	MG RESISTOR		
	C 821	NCF31AZ-105X	C CAPACITOR				R 632	NRSA63J-100X	MG RESISTOR		
	C 822	QERF1AM-227Z	E CAPACITOR	220MF 20% 10V			R 634	NRSA63J-120X	MG RESISTOR		
	C 852	QERF1CM-106Z	E CAPACITOR	10MF 20% 16V			R 635	NRSA63J-121X	MG RESISTOR		
	C 853	NCB31EK-103X	C CAPACITOR				R 636	NRSA63J-910X	MG RESISTOR		

## ■ Electrical parts list (CD servo board)

Block No. 05

△	Item	Parts number	Parts name	Remarks	Area
	R 641	NRSA63J-823X	MG RESISTOR		
	R 642	NRSA63J-564X	MG RESISTOR		
	R 651	NRSA63J-102X	MG RESISTOR		
	R 653	NRSA63J-102X	MG RESISTOR		
	R 655	NRSA63J-102X	MG RESISTOR		
	R 656	NRSA63J-102X	MG RESISTOR		
	R 657	NRSA63J-102X	MG RESISTOR		
	R 658	NRSA63J-102X	MG RESISTOR		
	R 659	NRSA63J-102X	MG RESISTOR		
	R 662	NRSA63J-683X	MG RESISTOR		
	R 663	NRSA63J-124X	MG RESISTOR		
	R 664	NRSA63J-331X	MG RESISTOR		
	R 665	NRSA63J-271X	MG RESISTOR		
	R 666	NRSA63J-221X	MG RESISTOR		
	R 667	NRSA63J-4R7X	MG RESISTOR		
	R 668	NRSA63J-155X	MG RESISTOR		
	R 670	NRSA63J-101X	MG RESISTOR		
	R 672	NRSA63J-272X	MG RESISTOR		
	R 682	NRSA63J-102X	MG RESISTOR		
	R 691	NRSA63J-103X	MG RESISTOR		
	R 692	NRSA63J-103X	MG RESISTOR		
	R 695	NRSA63J-243X	MG RESISTOR		
	R 696	NRSA63J-243X	MG RESISTOR		
	R 701	NRSA63J-821X	MG RESISTOR		
	R 702	NRSA63J-821X	MG RESISTOR		
	R 703	NRSA63J-103X	MG RESISTOR		
	R 704	NRSA63J-103X	MG RESISTOR		
	R 705	NRSA63J-562X	MG RESISTOR		
	R 706	NRSA63J-202X	MG RESISTOR		
	R 707	NRSA63J-682X	MG RESISTOR		
	R 708	NRSA63J-101X	MG RESISTOR		
	R 709	NRSA63J-101X	MG RESISTOR		
	R 710	NRSA63J-221X	MG RESISTOR		
	R 801	NRSA63J-272X	MG RESISTOR		
	R 802	NRSA63J-472X	MG RESISTOR		
	R 803	NRSA63J-472X	MG RESISTOR		
	R 804	NRSA63J-823X	MG RESISTOR		
	R 805	NRSA63J-912X	MG RESISTOR		
	R 806	NRSA63J-473X	MG RESISTOR		
	R 807	NRSA63J-272X	MG RESISTOR		
	R 808	NRSA63J-433X	MG RESISTOR		
	R 809	NRSA63J-122X	MG RESISTOR		
	R 811	NRSA63J-103X	MG RESISTOR		
	R 831	NRSA63J-151X	MG RESISTOR		
	R 832	NRSA63J-103X	MG RESISTOR		
	R 842	NRSA63J-472X	MG RESISTOR		
	R 851	NRSA63J-102X	MG RESISTOR		
	R 852	NRSA63J-102X	MG RESISTOR		
	R 853	NRSA63J-102X	MG RESISTOR		
	R 854	NRSA63J-102X	MG RESISTOR		
	R 861	NRSA63J-102X	MG RESISTOR		
	R 862	NRSA63J-102X	MG RESISTOR		
	R 863	NRSA63J-102X	MG RESISTOR		
	R 864	NRSA63J-102X	MG RESISTOR		
	R 865	NRSA63J-102X	MG RESISTOR		
	R 866	NRSA63J-102X	MG RESISTOR		
	R 880	NRSA63J-102X	MG RESISTOR		
	R 881	NRSA63J-102X	MG RESISTOR		
	R 882	NRSA63J-102X	MG RESISTOR		
	R 883	NRSA63J-102X	MG RESISTOR		
	R 884	NRSA63J-102X	MG RESISTOR		
	R 885	NRSA63J-102X	MG RESISTOR		
	R 886	NRSA63J-102X	MG RESISTOR		

△	Item	Parts number	Parts name	Remarks	Area
	R 887	NRSA63J-102X	MG RESISTOR		
	W 601	QUB220-07HPDT	SIN TWIST WIRE		
	X 251	QAX0720-001Z	C RESONATOR		
	X 651	QAX0413-001Z	CRYSTAL		

## ■ Electrical parts list (CD switch board)

Block No. 06

△	Item	Parts number	Parts name	Remarks	Area
	CN804	QGB2016J1-07	CONNECTOR		
	CN805	QGB2012J1-10	CONNECTOR		
	SW 1	QSW0859-001	LEVER SWITCH		
	SW 2	QSW0859-001	LEVER SWITCH		
	SW 3	QSW0859-001	LEVER SWITCH		
	SW 4	QSW0859-001	LEVER SWITCH		
	SW 5	QSW0859-001	LEVER SWITCH		
	SW 6	QSW0859-001	LEVER SWITCH		

**■ Electrical parts list (Head amplifier board) Block No. 07**

△	Item	Parts number	Parts name	Remarks	Area
	C 101	NCS21HJ-821X	C CAPACITOR		
	C 102	NCS21HJ-221X	C CAPACITOR		
	C 103	QEKJ0JM-227Z	E CAPACITOR	220MF 20% 6.3V	
	C 104	NCB21HK-333X	C CAPACITOR		
	C 105	NCB21HK-222X	C CAPACITOR		
	C 106	QEKJ1CM-106Z	E CAPACITOR	10MF 20% 16V	
	C 107	NCS21HJ-561X	C CAPACITOR		
	C 108	QEKJ1EM-475Z	E CAPACITOR	4.7MF 20% 25V	
	C 109	QEKJ1EM-475Z	E CAPACITOR	4.7MF 20% 25V	
	C 110	NCB21HK-682X	C CAPACITOR		
	C 111	NCB21HK-152X	C CAPACITOR		
	C 113	NCB21HK-393X	C CAPACITOR		
	C 121	NCS21HJ-331X	C CAPACITOR		
	C 201	NCS21HJ-821X	C CAPACITOR		
	C 202	NCS21HJ-221X	C CAPACITOR		
	C 203	QEKJ0JM-227Z	E CAPACITOR	220MF 20% 6.3V	
	C 204	NCB21HK-333X	C CAPACITOR		
	C 205	NCB21HK-222X	C CAPACITOR		
	C 206	QEKJ1CM-106Z	E CAPACITOR	10MF 20% 16V	
	C 207	NCS21HJ-561X	C CAPACITOR		
	C 208	QEKJ1EM-475Z	E CAPACITOR	4.7MF 20% 25V	
	C 209	QEKJ1EM-475Z	E CAPACITOR	4.7MF 20% 25V	
	C 210	NCB21HK-682X	C CAPACITOR		
	C 211	NCB21HK-152X	C CAPACITOR		
	C 213	NCB21HK-393X	C CAPACITOR		
	C 221	NCS21HJ-331X	C CAPACITOR		
	C 301	QEKJ1AM-107Z	E CAPACITOR	100MF 20% 10V	
	C 302	NCB21HK-393X	C CAPACITOR		
	C 303	QEKJ0JM-227Z	E CAPACITOR	220MF 20% 6.3V	
	C 304	QEKJ1CM-226Z	E CAPACITOR	22MF 20% 16V	
	C 305	QEKJ1CM-226Z	E CAPACITOR	22MF 20% 16V	
	C 306	QEKJ1CM-226Z	E CAPACITOR	22MF 20% 16V	
	C 307	NCB21HK-103X	C CAPACITOR		
	C 308	NCB21HK-152X	C CAPACITOR		
	C 310	NCB21HK-223X	C CAPACITOR		
	C 313	QEKJ1AM-107Z	E CAPACITOR	100MF 20% 10V	
	C 314	QCZ0202-155Z	ML C CAPACITOR	1.5MF	
	C 316	QFG32AJ-223Z	PP CAPACITOR	.022MF 5% 100V	
	C 319	QFLM1HJ-472Z	M CAPACITOR	4700PF 5% 50V	
	C 331	QEKJ1CM-476Z	E CAPACITOR	47MF 20% 16V	
	C 371	QEKJ1EM-475Z	E CAPACITOR	4.7MF 20% 25V	
	C 374	QEKJ1AM-107Z	E CAPACITOR	100MF 20% 10V	
	C 376	NCB21HK-103X	C CAPACITOR		
	CN 31	QGF1205F1-06	CONNECTOR	PRI/HEAD	
	CN 32	QGB2011M1-10	B TO B CONNECTO	PRI/MECHA	
	CN 33	QGF1205F1-09	CONNECTOR	PRI/MICON	
	CN 34	QGF1201F3-10	CONNECTOR	PRI/AMP	
	D 375	MA3051/M/-X	Z DIODE		
	FW 31	QUM024-06A2Z3	PARA RIBON WIRE		
	IC 31	BA3126N	IC	HEAD SW	
	IC 32	AN7317	IC	PB&REC	
	IC 33	BU4094BCF-X	IC		
	L 301	QQR1292-001	BIAS COIL		
	L 303	QQL244K-100Z	INDUCTOR		
	Q 302	KTC3203/Y/-T	TRANSISTOR	OSC	
	Q 305	KTC3203/Y/-T	TRANSISTOR	SW	
	Q 321	UN2213-X	TRANSISTOR	BUFFER	
	Q 371	KTA1271/OY/-T	TRANSISTOR	MOTER+B	
	Q 372	UN2212-X	TRANSISTOR		
	Q 375	2SB562/C/-T	TRANSISTOR	SOLENOID DRIVE	
	Q 376	2SD601A/QR/-X	TRANSISTOR		
	R 101	NRSA63J-220X	MG RESISTOR		
	R 102	NRSA63J-182X	MG RESISTOR		

△	Item	Parts number	Parts name	Remarks	Area
	R 103	NRSA63J-242X	MG RESISTOR		
	R 104	NRSA63J-122X	MG RESISTOR		
	R 105	NRSA63J-104X	MG RESISTOR		
	R 106	NRSA63J-332X	MG RESISTOR		
	R 107	NRSA63J-123X	MG RESISTOR		
	R 108	NRSA63J-562X	MG RESISTOR		
	R 109	NRSA63J-102X	MG RESISTOR		
	R 110	NRSA63J-272X	MG RESISTOR		
	R 111	NRSA63J-363X	MG RESISTOR		
	R 112	NRSA63J-222X	MG RESISTOR		
	R 116	NRSA63J-102X	MG RESISTOR		
	R 121	NRSA63J-153X	MG RESISTOR		
	R 122	NRSA63J-102X	MG RESISTOR		
	R 201	NRSA63J-220X	MG RESISTOR		
	R 202	NRSA63J-182X	MG RESISTOR		
	R 203	NRSA63J-242X	MG RESISTOR		
	R 204	NRSA63J-122X	MG RESISTOR		
	R 205	NRSA63J-104X	MG RESISTOR		
	R 206	NRSA63J-332X	MG RESISTOR		
	R 207	NRSA63J-123X	MG RESISTOR		
	R 208	NRSA63J-562X	MG RESISTOR		
	R 209	NRSA63J-102X	MG RESISTOR		
	R 210	NRSA63J-272X	MG RESISTOR		
	R 211	NRSA63J-363X	MG RESISTOR		
	R 212	NRSA63J-222X	MG RESISTOR		
	R 216	NRSA63J-102X	MG RESISTOR		
	R 221	NRSA63J-153X	MG RESISTOR		
	R 222	NRSA63J-102X	MG RESISTOR		
	R 301	NRS181J-221X	MG RESISTOR		
	R 303	NRSA63J-393X	MG RESISTOR		
	R 304	NRS181J-101X	MG RESISTOR		
	R 310	QRJ146J-4R7X	UNF C RESISTOR	4.7 5% 1/4W	
	R 313	NRSA63J-2R2X	MG RESISTOR		
	R 314	NRSA63J-153X	MG RESISTOR		
	R 315	NRSA63J-101X	MG RESISTOR		
	R 327	NRSA63J-474X	MG RESISTOR		
	R 335	NRSA63J-152X	MG RESISTOR		
	R 336	NRSA63J-472X	MG RESISTOR		
	R 337	NRSA63J-332X	MG RESISTOR		
	R 338	NRSA63J-392X	MG RESISTOR		
	R 339	NRSA63J-222X	MG RESISTOR		
	R 340	NRS181J-391X	MG RESISTOR		
	R 341	NRSA63J-123X	MG RESISTOR		
	R 342	NRSA63J-203X	MG RESISTOR		
	R 343	NRSA63J-183X	MG RESISTOR		
△	R 353	QRJ146J-100X	UNF C RESISTOR	10 5% 1/4W	
	R 371	NRSA63J-123X	MG RESISTOR		
	R 372	NRSA63J-102X	MG RESISTOR		
	R 375	NRSA02J-151X	MG RESISTOR	1/8W	
	R 376	NRSA63J-472X	MG RESISTOR		
	VR 31	QVP0008-203Z	SEMI V RESISTOR	BIAS ADJ	
	VR 37	QVP0008-103Z	SEMI V RESISTOR	TAPE SPEED ADJ	

**■ Electrical parts list (Cassette switch board) Block No. 08**

△	Item	Parts number	Parts name	Remarks	Area
	CN 1	QGB2011L1-10	B TO B CONNECTO		
	D 1	1T3-T2	SI DIODE		
	IC 1	SG-105F3-BB,C	PHOTO SENSER		
	P 1	QNZ0104-001	POST PIN		
	SW 1	QSW0832-001	LEAF SWITCH	R.REC	
	SW 2	QSW0832-001	LEAF SWITCH	TAPE	
	SW 5	QSW0832-001	LEAF SWITCH	F.REC	
	SW 6	QSW0859-001	LEVER SWITCH		

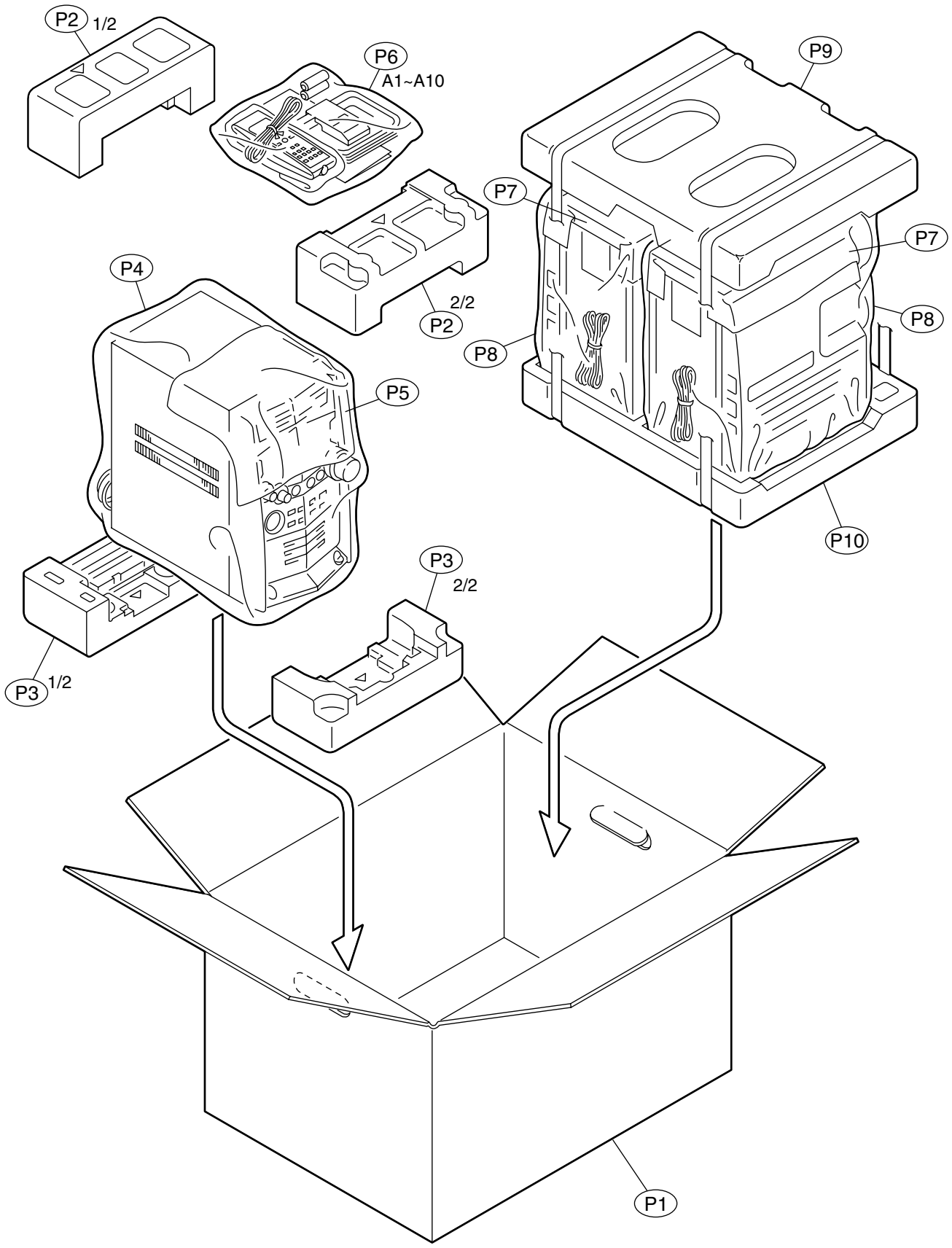
# Packing materials and accessories parts list

Block No. 

M	3	M	M
---	---	---	---

Block No. 

M	5	M	M
---	---	---	---





**Parts list (Packing)**

Block No. M3MM

△	Item	Parts number	Parts name	Q'ty	Description	Area
	P 1	GV20175-001A	PACKING CASE	1		J
		GV20175-003A	PACKING CASE	1		C
	P 2	GV10118-001A	TOP CUSHION	1		
	P 3	GV10119-001A	BOTTOM CUSHION	1		
	P 4	QPC06507015P	POLY BAG	1		
	P 5	GV40168-007A	SHEET	1		
	P 6	QPC02503515P	POLY BAG	1		
	P 7	138764501088	MIRROR MAT	2	FOR SPEAKER	
	P 8	138737001089	POLY BAG	2	FOR SPEAKER	
	P 9	139764931064	TOP CUSHION	1	FOR SPEAKER	
	P 10	139764931065	BOTTOM CUSHION	1	FOR SPEAKER	

**Parts list (Accessories)**

Block No. M5MM

△	Item	Parts number	Parts name	Q'ty	Description	Area
	A 1	GVT0077-001A	INST.BOOK	1	ENG	J
		GVT0077-002A	INST.BOOK	1	ENG,FRE	C
	A 2	GV40325-001A	NOTICE/AVIS	1		
	A 3	YU20333	SAFETY INST.	1		
	A 4	BT-51028-1	REGIST CARD	1		J
	A 5	QAL0014-001	AM LOOP ANT	1		
	A 6	EWP503-001	ANT.WIRE	1		
	A 7	RM-SHXZ3A	REMOCON	1		
	A 8	-----	BATTERY	2		
	A 9	BT-52006-1	WARRANTY CARD	1		C
	A 10	BT-20071B	SERVICE NETWORK	1		C